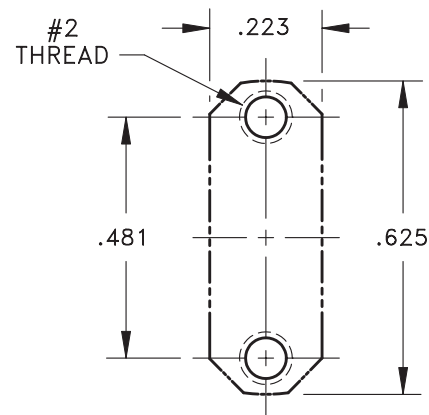
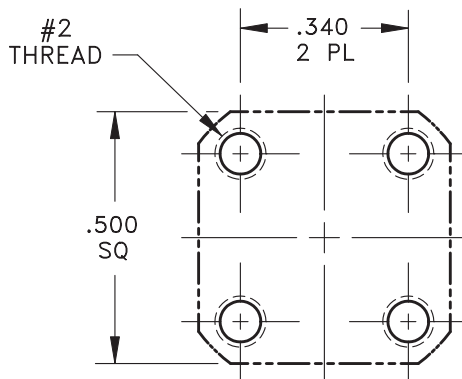
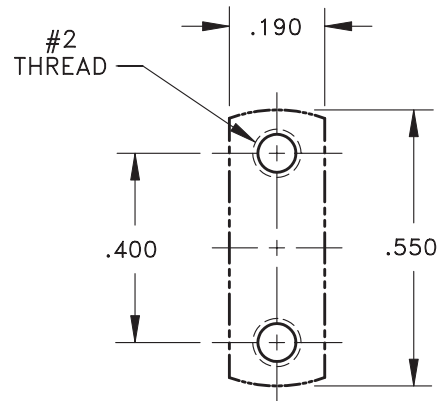
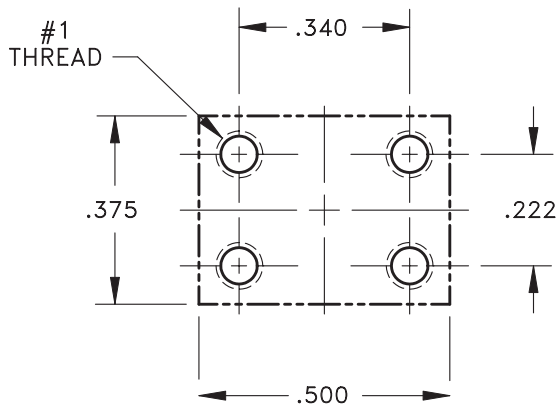
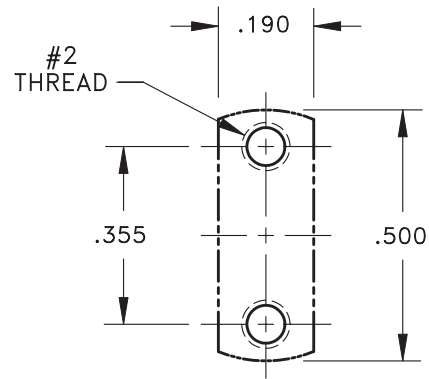
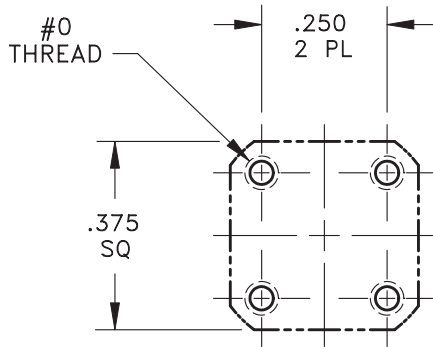


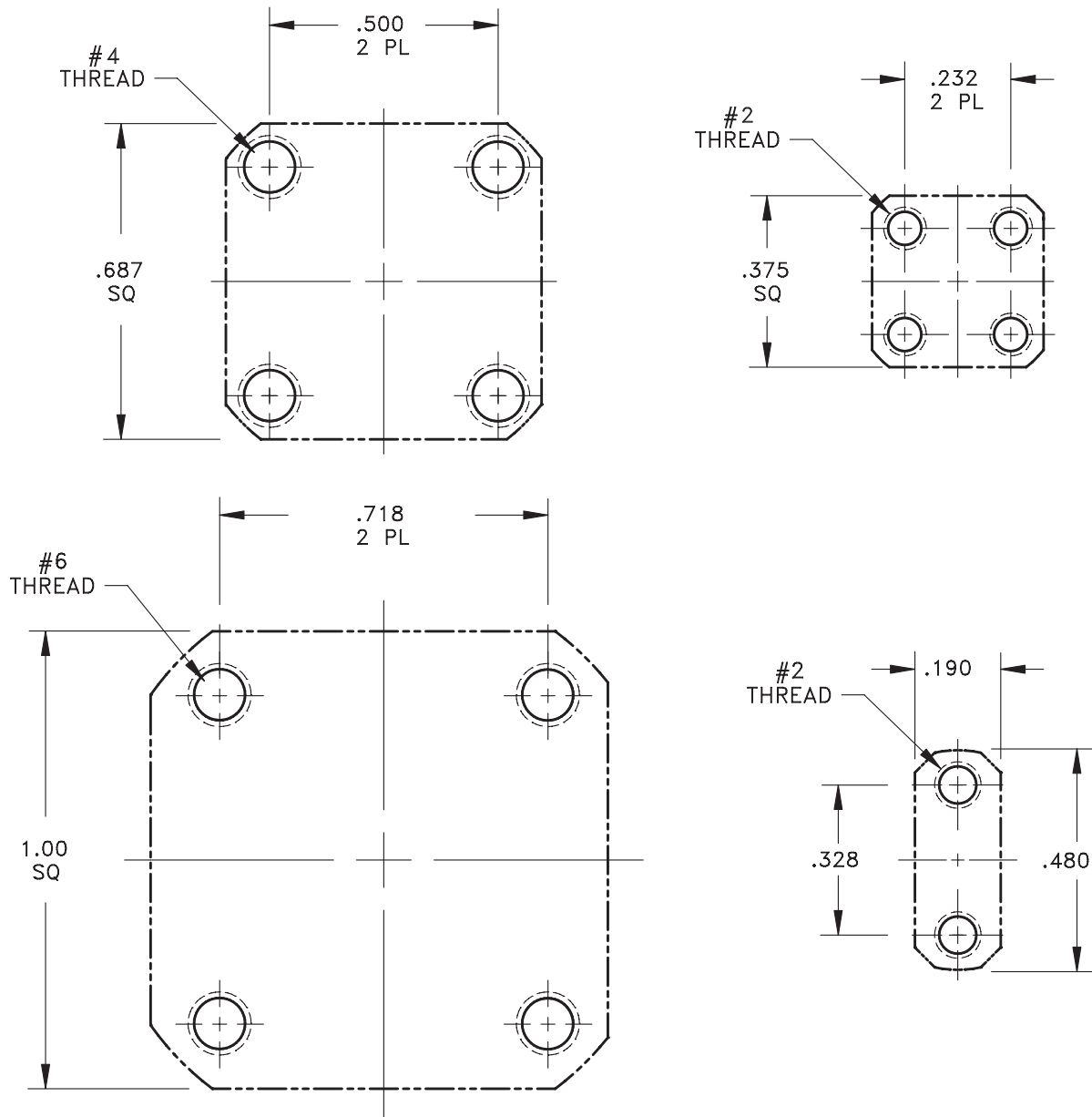
## Connector Mounting Hole Chart for Panel Mount Connectors



Southwest Microwave suggests the use of  
fillister head screws for mounting connectors.

**Detail Mounting Hole Chart  
for Panel Mount Connectors**

## Connector Mounting Hole Chart for Panel Mount Connectors



Southwest Microwave suggests the use of fillister head screws for mounting connectors.

**Detail Mounting Hole Chart  
for Panel Mount Connectors**