



## Index

| <b>2.40 mm Connectors (50 GHz)</b> . . . . . | <b>Page</b> |
|----------------------------------------------|-------------|
| Interface Standards . . . . .                | 44          |
| Specifications . . . . .                     | 45          |
| Connector Numbers . . . . .                  | 46          |
| Typical Test Data . . . . .                  | 48          |

**Adapters:** 2.40 mm Adapters can be found in the Adapter section.

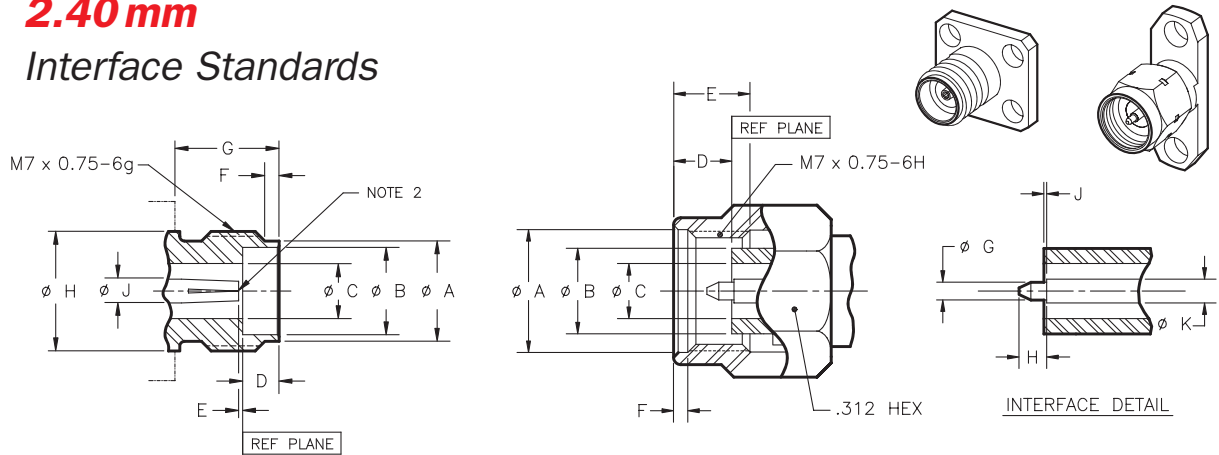
**Cable Connectors:** 2.40 mm Connectors can be found in the Cable Connector section.

**End Launch Connectors:** 2.40 mm End Launch Connectors can be found in the End Launch section.  
Unless otherwise specified, all dimensions are in inches.



# 2.40 mm Series DC to 50.0 GHz

## 2.40 mm Interface Standards



### 2.40 mm Jack (Socket Contact)

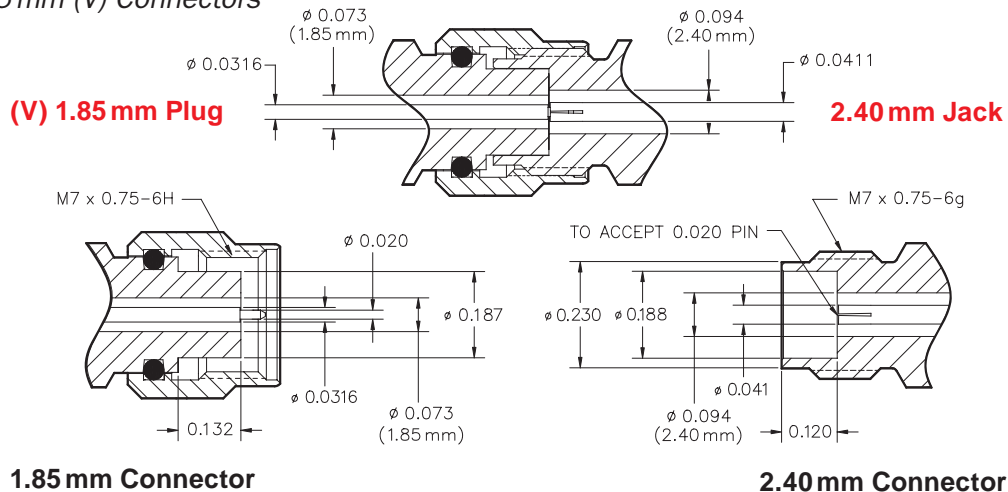
| LTR | Inches (Millimeters) |         |         |         |
|-----|----------------------|---------|---------|---------|
|     | Minimum              |         | Maximum |         |
| A   | .228                 | (5.79)  | .232    | (5.89)  |
| B   | .1878                | (4.770) | .1888   | (4.795) |
| C   | .094                 | (2.388) | .095    | (2.413) |
| D   | .118                 | (3.00)  | .122    | (3.10)  |
| E   | .000                 | (0.00)  | .005    | (0.127) |
| F   | .055                 | (1.40)  | .065    | (1.65)  |
| G   | .236                 | (5.99)  | —       | —       |
| H   | —                    | —       | .270    | (6.86)  |
| J   | .0406                | (1.031) | .0414   | (1.052) |
|     | Inch                 | (mm)    | Inch    | (mm)    |

### 2.40 mm Plug (Pin Contact)

| LTR | Inches (Millimeters) |         |         |         |
|-----|----------------------|---------|---------|---------|
|     | Minimum              |         | Maximum |         |
| A   | .276                 | (7.01)  | .280    | (7.12)  |
| B   | .186                 | (4.725) | .187    | (4.75)  |
| C   | .094                 | (2.388) | .095    | (2.413) |
| D   | .073                 | (1.85)  | .096    | (2.45)  |
| E   | .172                 | (4.370) | .182    | (4.623) |
| F   | .020                 | (0.51)  | .030    | (0.76)  |
| G   | .0196                | (0.498) | .0206   | (0.523) |
| H   | .050                 | (1.27)  | .060    | (1.524) |
| J   | .000                 | (0.00)  | .005    | (0.127) |
| K   | .0406                | (1.03)  | .0414   | (1.052) |
|     | Inch                 | (mm)    | Inch    | (mm)    |

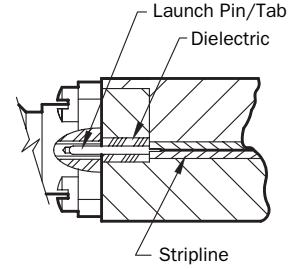
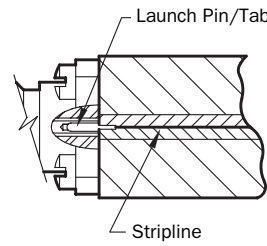
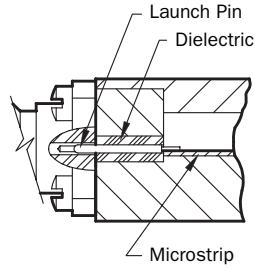
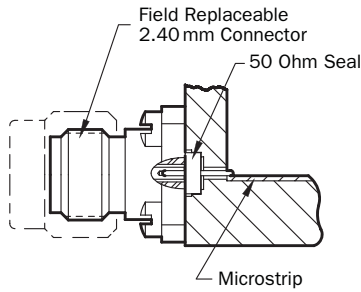
Notes: 1. Interface I.A.W. MIL-PRF-39012 and MIL-STD-348, Figures 324-1 and 324-2.  
2. I.D. to meet VSWR when mated with .0196/.0206 (0.498mm/0.523mm) Diameter Pin.

### Interface Compatibility with 1.85 mm (V) Connectors



## Specifications

### Applications



#### Available Accessories:

- 50 Ohm Seal
- Launch Pin & Dielectric
- Launch Pin/Tab
- Launch Pin/Tab & Dielectric

See Launch Accessories Section.

#### Electrical:

- Mode Free Through 50.0 GHz
- Low VSWR: DC to 18.0 GHz.....1.10:1 max  
18.0 to 40.0 GHz.....1.15:1 max  
40.0 to 50.0 GHz.....1.18:1 max
- Low RF Leakage  $\leq$  -100 dB
- Low Insertion Loss

#### Materials / Construction:

- Housing: Steel, CRES Alloy UNS S30300 Per ASTM A582, Passivated Per ASTM A967
- Contact: Beryllium Copper (BeCu), UNS C17300 Per ASTM B196, Gold Plated Per MIL-G-45204 or ASTM B488
- Center Contact Capture: Rigid Two Bead Capture with Ultem 1000 Per ASTM D5205 and KEL-F Per ASTM D1430
- Connector Interface: Per MIL-STD-348, Figs. 324-1 and 324-2
- Raised Metal Grounding Ring for 360° Metal-to-metal Contact

#### Environmental:

- Temperature: -55° C to +135° C



# 2.40 mm Series DC to 50.0 GHz

|                                                      |  |                   |                              |                           |
|------------------------------------------------------|--|-------------------|------------------------------|---------------------------|
| <p>2.40 mm JACK (FEMALE)<br/>4 HOLE .500" SQUARE</p> |  | *ACCEPTS PIN DIA. | Connector No.                |                           |
|                                                      |  | .020              | 1412-02SF                    |                           |
|                                                      |  | .012              | 1412-01SF                    |                           |
|                                                      |  | .009              | 1412-05SF                    |                           |
| <p>2.40 mm JACK (FEMALE)<br/>4 HOLE .375" SQUARE</p> |  | *ACCEPTS PIN DIA. | Connector No.                |                           |
|                                                      |  | .020              | 1412-04SF                    |                           |
|                                                      |  | .012              | 1412-03SF                    |                           |
|                                                      |  | .009              | 1412-06SF                    |                           |
| <p>2.40 mm JACK (FEMALE)<br/>2 HOLE .625 LONG</p>    |  | *ACCEPTS PIN DIA. | Connector No.                |                           |
|                                                      |  | .020              | 1414-02SF                    |                           |
|                                                      |  | .012              | 1414-01SF                    |                           |
|                                                      |  | .009              | 1414-05SF                    |                           |
| <p>2.40 mm JACK (FEMALE)<br/>2 HOLE .550 LONG</p>    |  | *ACCEPTS PIN DIA. | Connector No.                |                           |
|                                                      |  | .020              | 1414-08SF                    |                           |
|                                                      |  | .012              | 1414-07SF                    |                           |
|                                                      |  | .009              | 1414-09SF                    |                           |
| <p>2.40 mm JACK (FEMALE)<br/>2 HOLE .500 LONG</p>    |  | *ACCEPTS PIN DIA. | Connector No.                |                           |
|                                                      |  | .020              | 1414-04SF                    |                           |
|                                                      |  | .012              | 1414-03SF                    |                           |
|                                                      |  | .009              | 1414-06SF                    |                           |
| <p>2.40 mm JACK (FEMALE)<br/>THREAD-IN</p>           |  | *ACCEPTS PIN DIA. | △ .250-36 UNS 2A REAR THREAD | △ M6 x .75-6g REAR THREAD |
|                                                      |  | .020              | 1420-02SF                    | --                        |
|                                                      |  | .012              | 1420-01SF                    | --                        |
|                                                      |  | .009              | 1420-03SF                    | 1420-04SF                 |



# 2.40 mm Series DC to 50.0 GHz

| <b>2.40 mm PLUG (MALE)</b><br><b>4 HOLE .500" SQUARE</b> |                  | <table border="1"> <thead> <tr> <th>*ACCEPTS PIN DIA.</th> <th>Connector No.</th> </tr> </thead> <tbody> <tr> <td>.020</td> <td>1411-02SF</td> </tr> <tr> <td>.012</td> <td>1411-01SF</td> </tr> <tr> <td>.009</td> <td>1411-05SF</td> </tr> </tbody> </table>                                                                                                                                    | *ACCEPTS PIN DIA. | Connector No. | .020        | 1411-02SF | .012             | 1411-01SF    | .009 | 1411-05SF | <table border="1"> <thead> <tr> <th>*ACCEPTS PIN DIA.</th> <th>Connector No.</th> </tr> </thead> <tbody> <tr> <td>.020</td> <td>1411-02SF</td> </tr> <tr> <td>.012</td> <td>1411-01SF</td> </tr> <tr> <td>.009</td> <td>1411-05SF</td> </tr> </tbody> </table> | *ACCEPTS PIN DIA. | Connector No. | .020 | 1411-02SF | .012      | 1411-01SF | .009                                                                                                                                                                                                                                                                                                                                                                                              | 1411-05SF         |             |             |      |                  |              |      |           |    |      |           |    |  |           |           |
|----------------------------------------------------------|------------------|---------------------------------------------------------------------------------------------------------------------------------------------------------------------------------------------------------------------------------------------------------------------------------------------------------------------------------------------------------------------------------------------------|-------------------|---------------|-------------|-----------|------------------|--------------|------|-----------|----------------------------------------------------------------------------------------------------------------------------------------------------------------------------------------------------------------------------------------------------------------|-------------------|---------------|------|-----------|-----------|-----------|---------------------------------------------------------------------------------------------------------------------------------------------------------------------------------------------------------------------------------------------------------------------------------------------------------------------------------------------------------------------------------------------------|-------------------|-------------|-------------|------|------------------|--------------|------|-----------|----|------|-----------|----|--|-----------|-----------|
| *ACCEPTS PIN DIA.                                        | Connector No.    |                                                                                                                                                                                                                                                                                                                                                                                                   |                   |               |             |           |                  |              |      |           |                                                                                                                                                                                                                                                                |                   |               |      |           |           |           |                                                                                                                                                                                                                                                                                                                                                                                                   |                   |             |             |      |                  |              |      |           |    |      |           |    |  |           |           |
| .020                                                     | 1411-02SF        |                                                                                                                                                                                                                                                                                                                                                                                                   |                   |               |             |           |                  |              |      |           |                                                                                                                                                                                                                                                                |                   |               |      |           |           |           |                                                                                                                                                                                                                                                                                                                                                                                                   |                   |             |             |      |                  |              |      |           |    |      |           |    |  |           |           |
| .012                                                     | 1411-01SF        |                                                                                                                                                                                                                                                                                                                                                                                                   |                   |               |             |           |                  |              |      |           |                                                                                                                                                                                                                                                                |                   |               |      |           |           |           |                                                                                                                                                                                                                                                                                                                                                                                                   |                   |             |             |      |                  |              |      |           |    |      |           |    |  |           |           |
| .009                                                     | 1411-05SF        |                                                                                                                                                                                                                                                                                                                                                                                                   |                   |               |             |           |                  |              |      |           |                                                                                                                                                                                                                                                                |                   |               |      |           |           |           |                                                                                                                                                                                                                                                                                                                                                                                                   |                   |             |             |      |                  |              |      |           |    |      |           |    |  |           |           |
| *ACCEPTS PIN DIA.                                        | Connector No.    |                                                                                                                                                                                                                                                                                                                                                                                                   |                   |               |             |           |                  |              |      |           |                                                                                                                                                                                                                                                                |                   |               |      |           |           |           |                                                                                                                                                                                                                                                                                                                                                                                                   |                   |             |             |      |                  |              |      |           |    |      |           |    |  |           |           |
| .020                                                     | 1411-02SF        |                                                                                                                                                                                                                                                                                                                                                                                                   |                   |               |             |           |                  |              |      |           |                                                                                                                                                                                                                                                                |                   |               |      |           |           |           |                                                                                                                                                                                                                                                                                                                                                                                                   |                   |             |             |      |                  |              |      |           |    |      |           |    |  |           |           |
| .012                                                     | 1411-01SF        |                                                                                                                                                                                                                                                                                                                                                                                                   |                   |               |             |           |                  |              |      |           |                                                                                                                                                                                                                                                                |                   |               |      |           |           |           |                                                                                                                                                                                                                                                                                                                                                                                                   |                   |             |             |      |                  |              |      |           |    |      |           |    |  |           |           |
| .009                                                     | 1411-05SF        |                                                                                                                                                                                                                                                                                                                                                                                                   |                   |               |             |           |                  |              |      |           |                                                                                                                                                                                                                                                                |                   |               |      |           |           |           |                                                                                                                                                                                                                                                                                                                                                                                                   |                   |             |             |      |                  |              |      |           |    |      |           |    |  |           |           |
| <b>2.40 mm PLUG (MALE)</b><br><b>4 HOLE .375" SQUARE</b> |                  | <table border="1"> <thead> <tr> <th>*ACCEPTS PIN DIA.</th> <th>Connector No.</th> </tr> </thead> <tbody> <tr> <td>.020</td> <td>1411-04SF</td> </tr> <tr> <td>.012</td> <td>1411-03SF</td> </tr> <tr> <td>.009</td> <td>1411-06SF</td> </tr> </tbody> </table>                                                                                                                                    | *ACCEPTS PIN DIA. | Connector No. | .020        | 1411-04SF | .012             | 1411-03SF    | .009 | 1411-06SF | <table border="1"> <thead> <tr> <th>*ACCEPTS PIN DIA.</th> <th>Connector No.</th> </tr> </thead> <tbody> <tr> <td>.020</td> <td>1411-04SF</td> </tr> <tr> <td>.012</td> <td>1411-03SF</td> </tr> <tr> <td>.009</td> <td>1411-06SF</td> </tr> </tbody> </table> | *ACCEPTS PIN DIA. | Connector No. | .020 | 1411-04SF | .012      | 1411-03SF | .009                                                                                                                                                                                                                                                                                                                                                                                              | 1411-06SF         |             |             |      |                  |              |      |           |    |      |           |    |  |           |           |
| *ACCEPTS PIN DIA.                                        | Connector No.    |                                                                                                                                                                                                                                                                                                                                                                                                   |                   |               |             |           |                  |              |      |           |                                                                                                                                                                                                                                                                |                   |               |      |           |           |           |                                                                                                                                                                                                                                                                                                                                                                                                   |                   |             |             |      |                  |              |      |           |    |      |           |    |  |           |           |
| .020                                                     | 1411-04SF        |                                                                                                                                                                                                                                                                                                                                                                                                   |                   |               |             |           |                  |              |      |           |                                                                                                                                                                                                                                                                |                   |               |      |           |           |           |                                                                                                                                                                                                                                                                                                                                                                                                   |                   |             |             |      |                  |              |      |           |    |      |           |    |  |           |           |
| .012                                                     | 1411-03SF        |                                                                                                                                                                                                                                                                                                                                                                                                   |                   |               |             |           |                  |              |      |           |                                                                                                                                                                                                                                                                |                   |               |      |           |           |           |                                                                                                                                                                                                                                                                                                                                                                                                   |                   |             |             |      |                  |              |      |           |    |      |           |    |  |           |           |
| .009                                                     | 1411-06SF        |                                                                                                                                                                                                                                                                                                                                                                                                   |                   |               |             |           |                  |              |      |           |                                                                                                                                                                                                                                                                |                   |               |      |           |           |           |                                                                                                                                                                                                                                                                                                                                                                                                   |                   |             |             |      |                  |              |      |           |    |      |           |    |  |           |           |
| *ACCEPTS PIN DIA.                                        | Connector No.    |                                                                                                                                                                                                                                                                                                                                                                                                   |                   |               |             |           |                  |              |      |           |                                                                                                                                                                                                                                                                |                   |               |      |           |           |           |                                                                                                                                                                                                                                                                                                                                                                                                   |                   |             |             |      |                  |              |      |           |    |      |           |    |  |           |           |
| .020                                                     | 1411-04SF        |                                                                                                                                                                                                                                                                                                                                                                                                   |                   |               |             |           |                  |              |      |           |                                                                                                                                                                                                                                                                |                   |               |      |           |           |           |                                                                                                                                                                                                                                                                                                                                                                                                   |                   |             |             |      |                  |              |      |           |    |      |           |    |  |           |           |
| .012                                                     | 1411-03SF        |                                                                                                                                                                                                                                                                                                                                                                                                   |                   |               |             |           |                  |              |      |           |                                                                                                                                                                                                                                                                |                   |               |      |           |           |           |                                                                                                                                                                                                                                                                                                                                                                                                   |                   |             |             |      |                  |              |      |           |    |      |           |    |  |           |           |
| .009                                                     | 1411-06SF        |                                                                                                                                                                                                                                                                                                                                                                                                   |                   |               |             |           |                  |              |      |           |                                                                                                                                                                                                                                                                |                   |               |      |           |           |           |                                                                                                                                                                                                                                                                                                                                                                                                   |                   |             |             |      |                  |              |      |           |    |      |           |    |  |           |           |
| <b>2.40 mm PLUG (MALE)</b><br><b>2 HOLE .625 LONG</b>    |                  | <table border="1"> <thead> <tr> <th>*ACCEPTS PIN DIA.</th> <th>Connector No.</th> </tr> </thead> <tbody> <tr> <td>.020</td> <td>1413-02SF</td> </tr> <tr> <td>.012</td> <td>1413-01SF</td> </tr> <tr> <td>.009</td> <td>1413-05SF</td> </tr> </tbody> </table>                                                                                                                                    | *ACCEPTS PIN DIA. | Connector No. | .020        | 1413-02SF | .012             | 1413-01SF    | .009 | 1413-05SF | <table border="1"> <thead> <tr> <th>*ACCEPTS PIN DIA.</th> <th>Connector No.</th> </tr> </thead> <tbody> <tr> <td>.020</td> <td>1413-02SF</td> </tr> <tr> <td>.012</td> <td>1413-01SF</td> </tr> <tr> <td>.009</td> <td>1413-05SF</td> </tr> </tbody> </table> | *ACCEPTS PIN DIA. | Connector No. | .020 | 1413-02SF | .012      | 1413-01SF | .009                                                                                                                                                                                                                                                                                                                                                                                              | 1413-05SF         |             |             |      |                  |              |      |           |    |      |           |    |  |           |           |
| *ACCEPTS PIN DIA.                                        | Connector No.    |                                                                                                                                                                                                                                                                                                                                                                                                   |                   |               |             |           |                  |              |      |           |                                                                                                                                                                                                                                                                |                   |               |      |           |           |           |                                                                                                                                                                                                                                                                                                                                                                                                   |                   |             |             |      |                  |              |      |           |    |      |           |    |  |           |           |
| .020                                                     | 1413-02SF        |                                                                                                                                                                                                                                                                                                                                                                                                   |                   |               |             |           |                  |              |      |           |                                                                                                                                                                                                                                                                |                   |               |      |           |           |           |                                                                                                                                                                                                                                                                                                                                                                                                   |                   |             |             |      |                  |              |      |           |    |      |           |    |  |           |           |
| .012                                                     | 1413-01SF        |                                                                                                                                                                                                                                                                                                                                                                                                   |                   |               |             |           |                  |              |      |           |                                                                                                                                                                                                                                                                |                   |               |      |           |           |           |                                                                                                                                                                                                                                                                                                                                                                                                   |                   |             |             |      |                  |              |      |           |    |      |           |    |  |           |           |
| .009                                                     | 1413-05SF        |                                                                                                                                                                                                                                                                                                                                                                                                   |                   |               |             |           |                  |              |      |           |                                                                                                                                                                                                                                                                |                   |               |      |           |           |           |                                                                                                                                                                                                                                                                                                                                                                                                   |                   |             |             |      |                  |              |      |           |    |      |           |    |  |           |           |
| *ACCEPTS PIN DIA.                                        | Connector No.    |                                                                                                                                                                                                                                                                                                                                                                                                   |                   |               |             |           |                  |              |      |           |                                                                                                                                                                                                                                                                |                   |               |      |           |           |           |                                                                                                                                                                                                                                                                                                                                                                                                   |                   |             |             |      |                  |              |      |           |    |      |           |    |  |           |           |
| .020                                                     | 1413-02SF        |                                                                                                                                                                                                                                                                                                                                                                                                   |                   |               |             |           |                  |              |      |           |                                                                                                                                                                                                                                                                |                   |               |      |           |           |           |                                                                                                                                                                                                                                                                                                                                                                                                   |                   |             |             |      |                  |              |      |           |    |      |           |    |  |           |           |
| .012                                                     | 1413-01SF        |                                                                                                                                                                                                                                                                                                                                                                                                   |                   |               |             |           |                  |              |      |           |                                                                                                                                                                                                                                                                |                   |               |      |           |           |           |                                                                                                                                                                                                                                                                                                                                                                                                   |                   |             |             |      |                  |              |      |           |    |      |           |    |  |           |           |
| .009                                                     | 1413-05SF        |                                                                                                                                                                                                                                                                                                                                                                                                   |                   |               |             |           |                  |              |      |           |                                                                                                                                                                                                                                                                |                   |               |      |           |           |           |                                                                                                                                                                                                                                                                                                                                                                                                   |                   |             |             |      |                  |              |      |           |    |      |           |    |  |           |           |
| <b>2.40 mm PLUG (MALE)</b><br><b>2 HOLE .550 LONG</b>    |                  | <table border="1"> <thead> <tr> <th>*ACCEPTS PIN DIA.</th> <th>Connector No.</th> </tr> </thead> <tbody> <tr> <td>.020</td> <td>1413-08SF</td> </tr> <tr> <td>.012</td> <td>1413-07SF</td> </tr> <tr> <td>.009</td> <td>1413-09SF</td> </tr> </tbody> </table>                                                                                                                                    | *ACCEPTS PIN DIA. | Connector No. | .020        | 1413-08SF | .012             | 1413-07SF    | .009 | 1413-09SF | <table border="1"> <thead> <tr> <th>*ACCEPTS PIN DIA.</th> <th>Connector No.</th> </tr> </thead> <tbody> <tr> <td>.020</td> <td>1413-08SF</td> </tr> <tr> <td>.012</td> <td>1413-07SF</td> </tr> <tr> <td>.009</td> <td>1413-09SF</td> </tr> </tbody> </table> | *ACCEPTS PIN DIA. | Connector No. | .020 | 1413-08SF | .012      | 1413-07SF | .009                                                                                                                                                                                                                                                                                                                                                                                              | 1413-09SF         |             |             |      |                  |              |      |           |    |      |           |    |  |           |           |
| *ACCEPTS PIN DIA.                                        | Connector No.    |                                                                                                                                                                                                                                                                                                                                                                                                   |                   |               |             |           |                  |              |      |           |                                                                                                                                                                                                                                                                |                   |               |      |           |           |           |                                                                                                                                                                                                                                                                                                                                                                                                   |                   |             |             |      |                  |              |      |           |    |      |           |    |  |           |           |
| .020                                                     | 1413-08SF        |                                                                                                                                                                                                                                                                                                                                                                                                   |                   |               |             |           |                  |              |      |           |                                                                                                                                                                                                                                                                |                   |               |      |           |           |           |                                                                                                                                                                                                                                                                                                                                                                                                   |                   |             |             |      |                  |              |      |           |    |      |           |    |  |           |           |
| .012                                                     | 1413-07SF        |                                                                                                                                                                                                                                                                                                                                                                                                   |                   |               |             |           |                  |              |      |           |                                                                                                                                                                                                                                                                |                   |               |      |           |           |           |                                                                                                                                                                                                                                                                                                                                                                                                   |                   |             |             |      |                  |              |      |           |    |      |           |    |  |           |           |
| .009                                                     | 1413-09SF        |                                                                                                                                                                                                                                                                                                                                                                                                   |                   |               |             |           |                  |              |      |           |                                                                                                                                                                                                                                                                |                   |               |      |           |           |           |                                                                                                                                                                                                                                                                                                                                                                                                   |                   |             |             |      |                  |              |      |           |    |      |           |    |  |           |           |
| *ACCEPTS PIN DIA.                                        | Connector No.    |                                                                                                                                                                                                                                                                                                                                                                                                   |                   |               |             |           |                  |              |      |           |                                                                                                                                                                                                                                                                |                   |               |      |           |           |           |                                                                                                                                                                                                                                                                                                                                                                                                   |                   |             |             |      |                  |              |      |           |    |      |           |    |  |           |           |
| .020                                                     | 1413-08SF        |                                                                                                                                                                                                                                                                                                                                                                                                   |                   |               |             |           |                  |              |      |           |                                                                                                                                                                                                                                                                |                   |               |      |           |           |           |                                                                                                                                                                                                                                                                                                                                                                                                   |                   |             |             |      |                  |              |      |           |    |      |           |    |  |           |           |
| .012                                                     | 1413-07SF        |                                                                                                                                                                                                                                                                                                                                                                                                   |                   |               |             |           |                  |              |      |           |                                                                                                                                                                                                                                                                |                   |               |      |           |           |           |                                                                                                                                                                                                                                                                                                                                                                                                   |                   |             |             |      |                  |              |      |           |    |      |           |    |  |           |           |
| .009                                                     | 1413-09SF        |                                                                                                                                                                                                                                                                                                                                                                                                   |                   |               |             |           |                  |              |      |           |                                                                                                                                                                                                                                                                |                   |               |      |           |           |           |                                                                                                                                                                                                                                                                                                                                                                                                   |                   |             |             |      |                  |              |      |           |    |      |           |    |  |           |           |
| <b>2.40 mm PLUG (MALE)</b><br><b>2 HOLE .500 LONG</b>    |                  | <table border="1"> <thead> <tr> <th>*ACCEPTS PIN DIA.</th> <th>Connector No.</th> </tr> </thead> <tbody> <tr> <td>.020</td> <td>1413-04SF</td> </tr> <tr> <td>.012</td> <td>1413-03SF</td> </tr> <tr> <td>.009</td> <td>1413-06SF</td> </tr> </tbody> </table>                                                                                                                                    | *ACCEPTS PIN DIA. | Connector No. | .020        | 1413-04SF | .012             | 1413-03SF    | .009 | 1413-06SF | <table border="1"> <thead> <tr> <th>*ACCEPTS PIN DIA.</th> <th>Connector No.</th> </tr> </thead> <tbody> <tr> <td>.020</td> <td>1413-04SF</td> </tr> <tr> <td>.012</td> <td>1413-03SF</td> </tr> <tr> <td>.009</td> <td>1413-06SF</td> </tr> </tbody> </table> | *ACCEPTS PIN DIA. | Connector No. | .020 | 1413-04SF | .012      | 1413-03SF | .009                                                                                                                                                                                                                                                                                                                                                                                              | 1413-06SF         |             |             |      |                  |              |      |           |    |      |           |    |  |           |           |
| *ACCEPTS PIN DIA.                                        | Connector No.    |                                                                                                                                                                                                                                                                                                                                                                                                   |                   |               |             |           |                  |              |      |           |                                                                                                                                                                                                                                                                |                   |               |      |           |           |           |                                                                                                                                                                                                                                                                                                                                                                                                   |                   |             |             |      |                  |              |      |           |    |      |           |    |  |           |           |
| .020                                                     | 1413-04SF        |                                                                                                                                                                                                                                                                                                                                                                                                   |                   |               |             |           |                  |              |      |           |                                                                                                                                                                                                                                                                |                   |               |      |           |           |           |                                                                                                                                                                                                                                                                                                                                                                                                   |                   |             |             |      |                  |              |      |           |    |      |           |    |  |           |           |
| .012                                                     | 1413-03SF        |                                                                                                                                                                                                                                                                                                                                                                                                   |                   |               |             |           |                  |              |      |           |                                                                                                                                                                                                                                                                |                   |               |      |           |           |           |                                                                                                                                                                                                                                                                                                                                                                                                   |                   |             |             |      |                  |              |      |           |    |      |           |    |  |           |           |
| .009                                                     | 1413-06SF        |                                                                                                                                                                                                                                                                                                                                                                                                   |                   |               |             |           |                  |              |      |           |                                                                                                                                                                                                                                                                |                   |               |      |           |           |           |                                                                                                                                                                                                                                                                                                                                                                                                   |                   |             |             |      |                  |              |      |           |    |      |           |    |  |           |           |
| *ACCEPTS PIN DIA.                                        | Connector No.    |                                                                                                                                                                                                                                                                                                                                                                                                   |                   |               |             |           |                  |              |      |           |                                                                                                                                                                                                                                                                |                   |               |      |           |           |           |                                                                                                                                                                                                                                                                                                                                                                                                   |                   |             |             |      |                  |              |      |           |    |      |           |    |  |           |           |
| .020                                                     | 1413-04SF        |                                                                                                                                                                                                                                                                                                                                                                                                   |                   |               |             |           |                  |              |      |           |                                                                                                                                                                                                                                                                |                   |               |      |           |           |           |                                                                                                                                                                                                                                                                                                                                                                                                   |                   |             |             |      |                  |              |      |           |    |      |           |    |  |           |           |
| .012                                                     | 1413-03SF        |                                                                                                                                                                                                                                                                                                                                                                                                   |                   |               |             |           |                  |              |      |           |                                                                                                                                                                                                                                                                |                   |               |      |           |           |           |                                                                                                                                                                                                                                                                                                                                                                                                   |                   |             |             |      |                  |              |      |           |    |      |           |    |  |           |           |
| .009                                                     | 1413-06SF        |                                                                                                                                                                                                                                                                                                                                                                                                   |                   |               |             |           |                  |              |      |           |                                                                                                                                                                                                                                                                |                   |               |      |           |           |           |                                                                                                                                                                                                                                                                                                                                                                                                   |                   |             |             |      |                  |              |      |           |    |      |           |    |  |           |           |
| <b>2.40 mm PLUG (MALE)</b><br><b>THREAD-IN</b>           |                  | <table border="1"> <thead> <tr> <th>*ACCEPTS PIN DIA.</th> <th>REAR THREAD</th> <th>REAR THREAD</th> </tr> </thead> <tbody> <tr> <td>.020</td> <td>△ .250-36 UNS 2A</td> <td>△ M6 x.75-6g</td> </tr> <tr> <td>.012</td> <td>1421-02SF</td> <td>--</td> </tr> <tr> <td>.009</td> <td>1421-01SF</td> <td>--</td> </tr> <tr> <td></td> <td>1421-03SF</td> <td>1421-04SF</td> </tr> </tbody> </table> | *ACCEPTS PIN DIA. | REAR THREAD   | REAR THREAD | .020      | △ .250-36 UNS 2A | △ M6 x.75-6g | .012 | 1421-02SF | --                                                                                                                                                                                                                                                             | .009              | 1421-01SF     | --   |           | 1421-03SF | 1421-04SF | <table border="1"> <thead> <tr> <th>*ACCEPTS PIN DIA.</th> <th>REAR THREAD</th> <th>REAR THREAD</th> </tr> </thead> <tbody> <tr> <td>.020</td> <td>△ .250-36 UNS 2A</td> <td>△ M6 x.75-6g</td> </tr> <tr> <td>.012</td> <td>1421-02SF</td> <td>--</td> </tr> <tr> <td>.009</td> <td>1421-01SF</td> <td>--</td> </tr> <tr> <td></td> <td>1421-03SF</td> <td>1421-04SF</td> </tr> </tbody> </table> | *ACCEPTS PIN DIA. | REAR THREAD | REAR THREAD | .020 | △ .250-36 UNS 2A | △ M6 x.75-6g | .012 | 1421-02SF | -- | .009 | 1421-01SF | -- |  | 1421-03SF | 1421-04SF |
| *ACCEPTS PIN DIA.                                        | REAR THREAD      | REAR THREAD                                                                                                                                                                                                                                                                                                                                                                                       |                   |               |             |           |                  |              |      |           |                                                                                                                                                                                                                                                                |                   |               |      |           |           |           |                                                                                                                                                                                                                                                                                                                                                                                                   |                   |             |             |      |                  |              |      |           |    |      |           |    |  |           |           |
| .020                                                     | △ .250-36 UNS 2A | △ M6 x.75-6g                                                                                                                                                                                                                                                                                                                                                                                      |                   |               |             |           |                  |              |      |           |                                                                                                                                                                                                                                                                |                   |               |      |           |           |           |                                                                                                                                                                                                                                                                                                                                                                                                   |                   |             |             |      |                  |              |      |           |    |      |           |    |  |           |           |
| .012                                                     | 1421-02SF        | --                                                                                                                                                                                                                                                                                                                                                                                                |                   |               |             |           |                  |              |      |           |                                                                                                                                                                                                                                                                |                   |               |      |           |           |           |                                                                                                                                                                                                                                                                                                                                                                                                   |                   |             |             |      |                  |              |      |           |    |      |           |    |  |           |           |
| .009                                                     | 1421-01SF        | --                                                                                                                                                                                                                                                                                                                                                                                                |                   |               |             |           |                  |              |      |           |                                                                                                                                                                                                                                                                |                   |               |      |           |           |           |                                                                                                                                                                                                                                                                                                                                                                                                   |                   |             |             |      |                  |              |      |           |    |      |           |    |  |           |           |
|                                                          | 1421-03SF        | 1421-04SF                                                                                                                                                                                                                                                                                                                                                                                         |                   |               |             |           |                  |              |      |           |                                                                                                                                                                                                                                                                |                   |               |      |           |           |           |                                                                                                                                                                                                                                                                                                                                                                                                   |                   |             |             |      |                  |              |      |           |    |      |           |    |  |           |           |
| *ACCEPTS PIN DIA.                                        | REAR THREAD      | REAR THREAD                                                                                                                                                                                                                                                                                                                                                                                       |                   |               |             |           |                  |              |      |           |                                                                                                                                                                                                                                                                |                   |               |      |           |           |           |                                                                                                                                                                                                                                                                                                                                                                                                   |                   |             |             |      |                  |              |      |           |    |      |           |    |  |           |           |
| .020                                                     | △ .250-36 UNS 2A | △ M6 x.75-6g                                                                                                                                                                                                                                                                                                                                                                                      |                   |               |             |           |                  |              |      |           |                                                                                                                                                                                                                                                                |                   |               |      |           |           |           |                                                                                                                                                                                                                                                                                                                                                                                                   |                   |             |             |      |                  |              |      |           |    |      |           |    |  |           |           |
| .012                                                     | 1421-02SF        | --                                                                                                                                                                                                                                                                                                                                                                                                |                   |               |             |           |                  |              |      |           |                                                                                                                                                                                                                                                                |                   |               |      |           |           |           |                                                                                                                                                                                                                                                                                                                                                                                                   |                   |             |             |      |                  |              |      |           |    |      |           |    |  |           |           |
| .009                                                     | 1421-01SF        | --                                                                                                                                                                                                                                                                                                                                                                                                |                   |               |             |           |                  |              |      |           |                                                                                                                                                                                                                                                                |                   |               |      |           |           |           |                                                                                                                                                                                                                                                                                                                                                                                                   |                   |             |             |      |                  |              |      |           |    |      |           |    |  |           |           |
|                                                          | 1421-03SF        | 1421-04SF                                                                                                                                                                                                                                                                                                                                                                                         |                   |               |             |           |                  |              |      |           |                                                                                                                                                                                                                                                                |                   |               |      |           |           |           |                                                                                                                                                                                                                                                                                                                                                                                                   |                   |             |             |      |                  |              |      |           |    |      |           |    |  |           |           |

Super SMA Connectors  
N Series Connectors  
TNC Connectors  
SSMA Connectors  
2.92 mm Connectors  
2.40 mm Connectors  
End Launch Connectors  
Adapters  
Cable Connectors  
Launch Accessories  
Installation and Tools



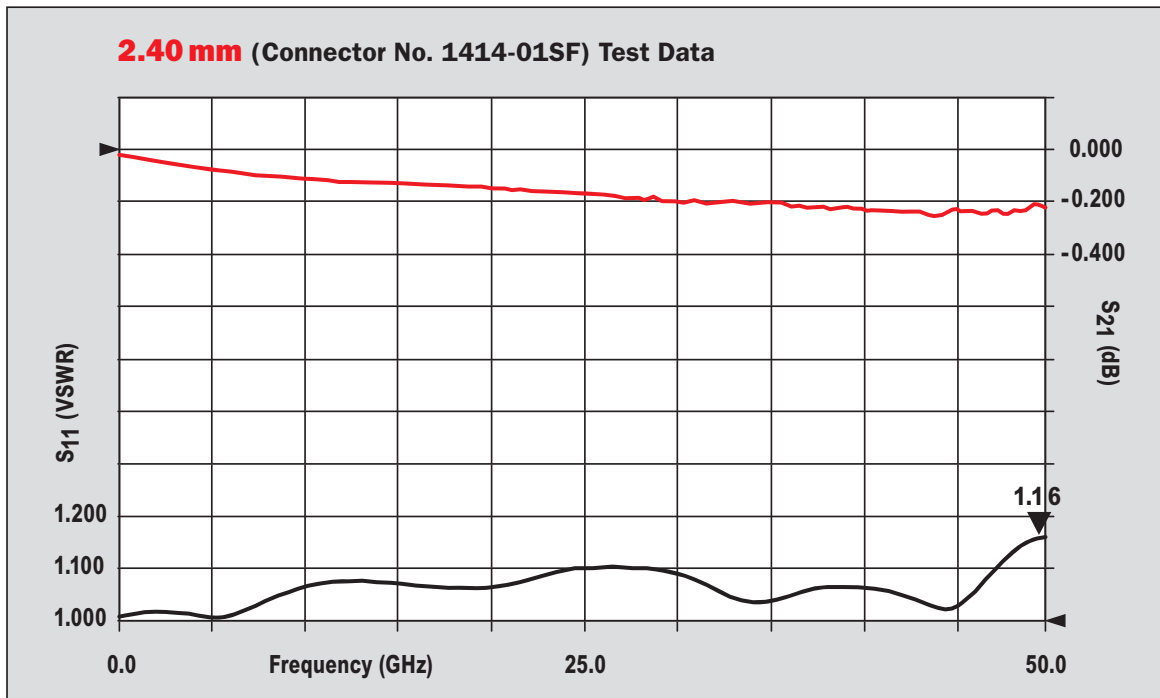
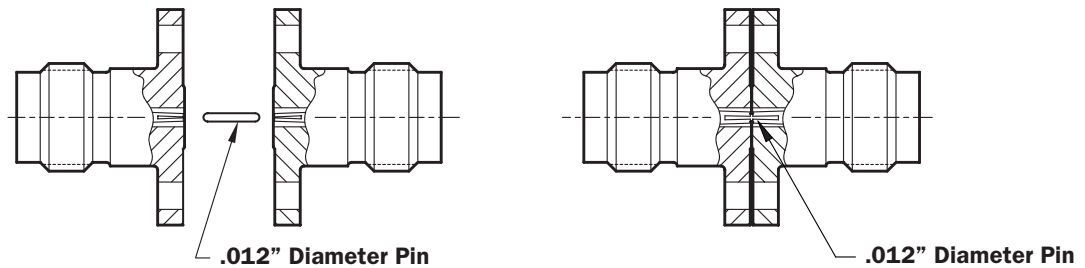
# 2.40 mm Connector Series

## Typical Test Data

### Back-to-Back Connector Testing

Back-to-back testing shows data for two connectors. Any internal mismatches within the connector will phase together when tested through 50.0 GHz. Taking the square root of the peak VSWR will provide the value for a single connector.

Connector No. 1414-01SF with **.012" Test Pin**



$\sqrt{1.16} = 1.07$  Maximum for each connector

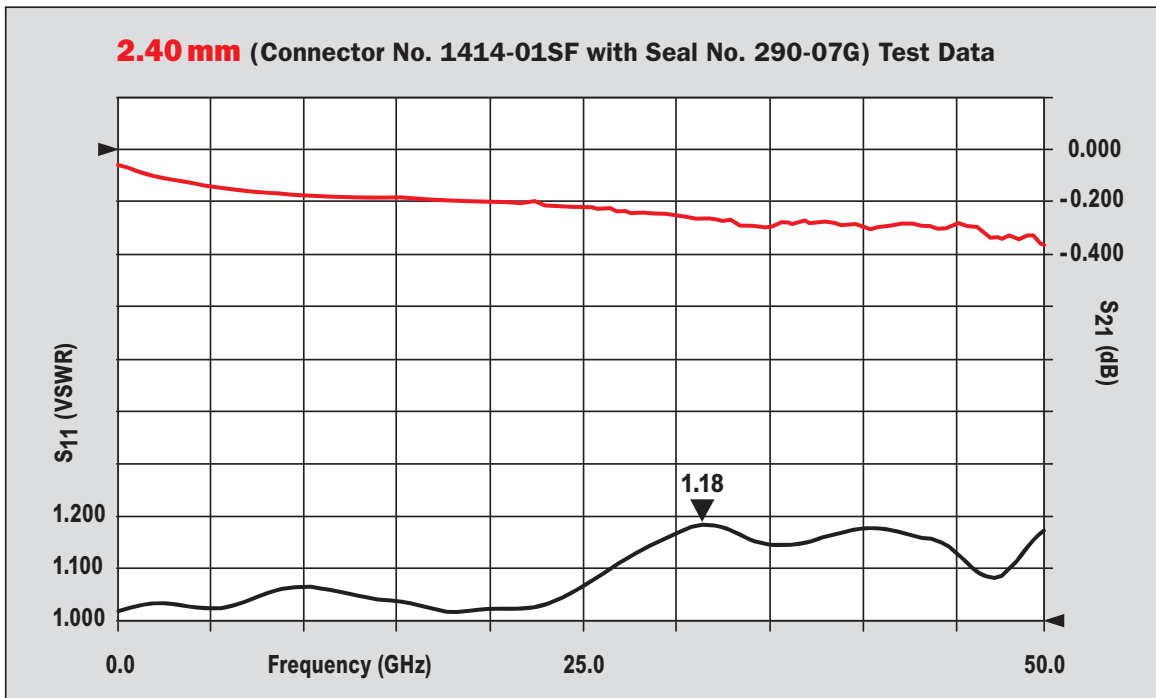
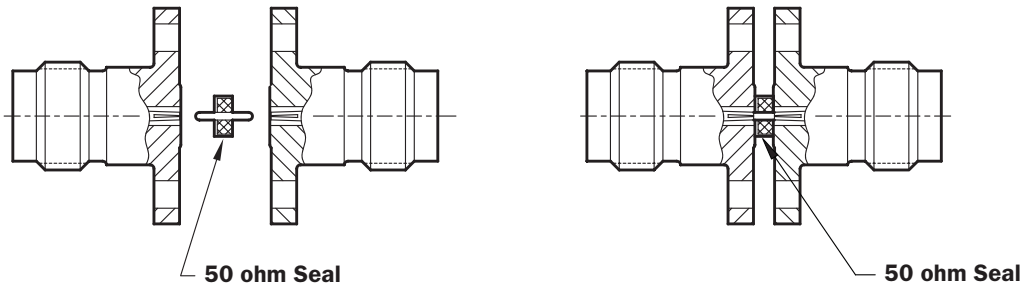
## Typical Test Data

### Back-to-Back Connector Testing

Back-to-back testing shows data for two connectors and 50 ohm seal.

Connector No. 1414-01SF with .012" Pin

**50 ohm Seal** (Seal No. 290-07G)



$\sqrt{1.18} = 1.08$  Maximum for each connector