

THE PERFORMANCE LEADER IN MICROWAVE CONNECTORS



Finally! The Perfect Match Between Connector and Circuit

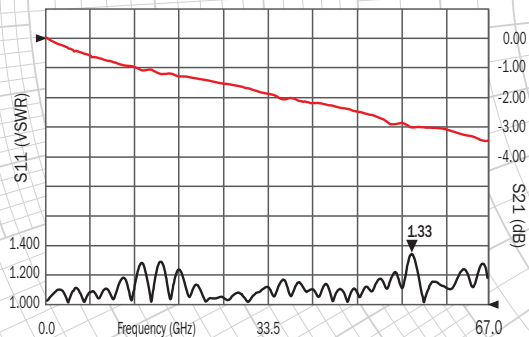
Easy-to-use End Launch Connectors to 110 GHz Assure Optimal Signal Integrity

AVAILABLE IN:

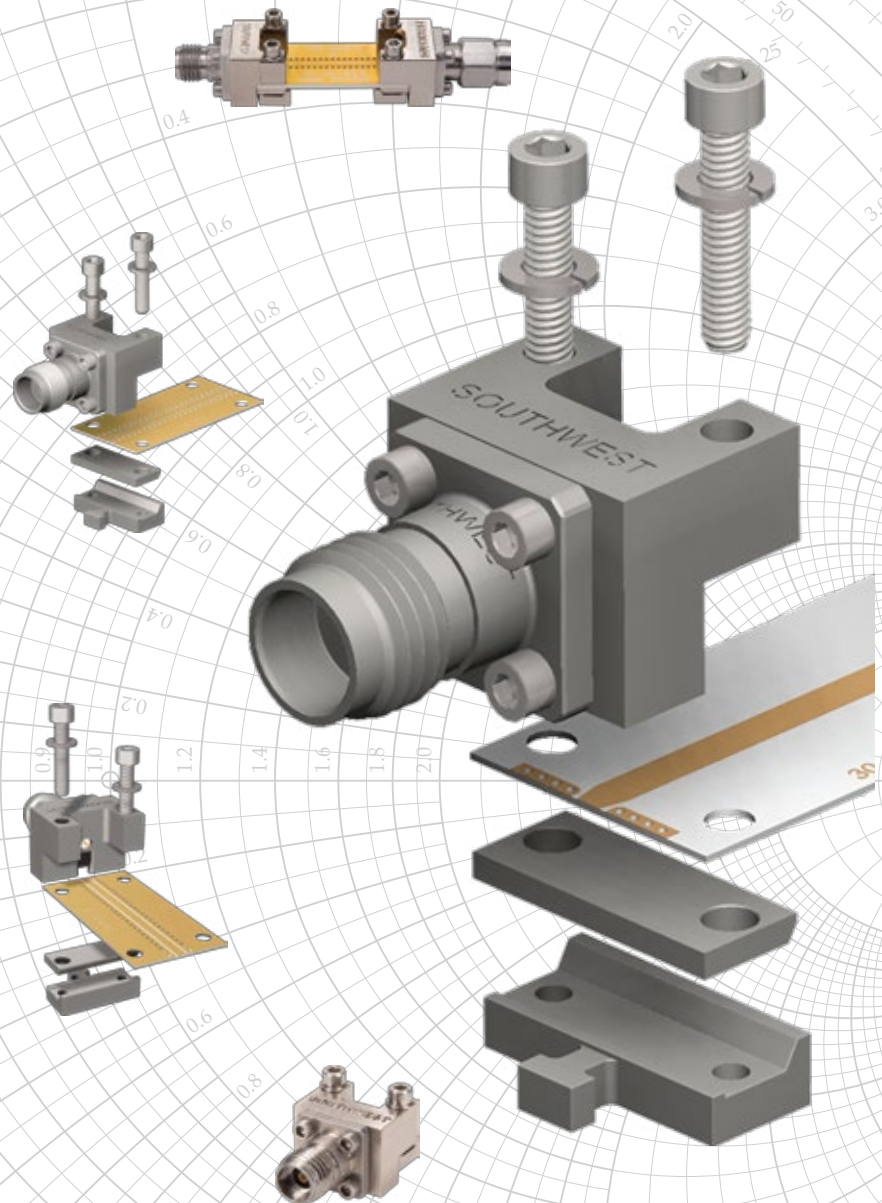
- SMA (27 GHz)
- 2.92 MM (K) (40 GHz)
- 2.40 MM (50 GHz)
- 1.85 MM (V) (67 GHz)
- 1.0 MM (W) (110 GHz)

BENEFITS:

- **MULTIPLE LAUNCH CONFIGURATIONS TO OPTIMIZE MATCH TO CIRCUIT**
- **STANDARD AND LOW PROFILE**
- **UNIQUE CLAMPING MECHANISM ACCOMMODATES A WIDE RANGE OF BOARD THICKNESSES WHILE MAINTAINING PROPER GROUNDING**
- **ROBUST AND REUSABLE**
- **NO SOLDERING REQUIRED**
- **LAUNCHES TO SINGLE LAYER MICROSTRIP OR MULTILAYER WITH GROUNDED COPLANAR**
- **LAUNCH DESIGN ASSISTANCE AVAILABLE**
- **CONNECTORS SHIP FULLY ASSEMBLED (BOARD NOT INCLUDED)**



1.33 is the maximum for two 1892-04A-5 End Launch Connectors on a SMI microstrip test board (.008" Rogers RO4003).



FULL CATALOG AVAILABLE AT
WWW.SOUTHWESTMICROWAVE.COM

Southwest Microwave, Inc., Tempe, Arizona, USA
connectors@southwestmicrowave.com | +1 (480) 783-0201