

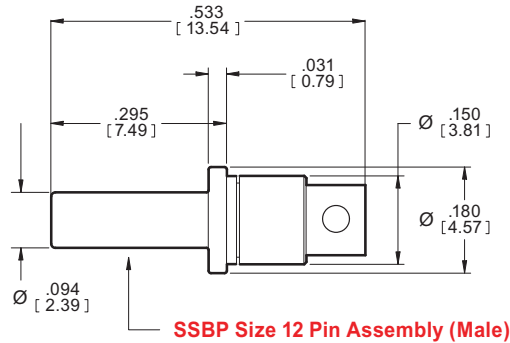
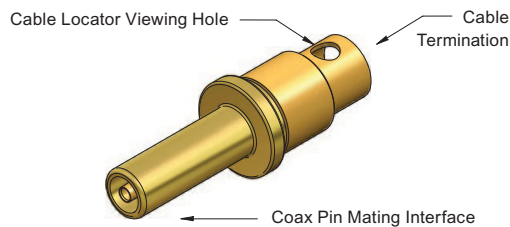
For use with Size 12 contact cavities for circular connectors per MIL-DTL-38999 Series I, III, IV and equivalents having the same contact cavity and interface dimensions.

SSBP Coax Size & Gender	SSBP Coax No.	Cables $\Delta$
12P	50400-001P	0.100 braid OD, Temp-Flex 100-2001(low loss)
12P	50400-002P	0.108 braid OD, Temp-Flex 108-2001(triple shielded, low loss)
12P	50400-003P	.086 solid core flex or S/R (any supplier)
12P	50400-004P	0.130 braid OD $\Delta$
12S	51400-001S	0.100 braid OD, Temp-Flex 100-2001(low loss)
12S	51400-002S	0.108 braid OD, Temp-Flex 108-2001(triple shielded, low loss)
12S	51400-003S	.086 solid core flex or S/R (any supplier)
12S	51400-004S	0.130 braid OD $\Delta$

- $\Delta$  Contact Southwest Microwave for other connectors and cable options, including 75-ohm assemblies.
- $\Delta$  Contact Southwest Microwave for outline drawings and assembly instructions for specific SSBP coaxes.
- $\Delta$  Closest to .141 cable that will fit in Size 12 connector cavities.

### Dimensions: $\Delta$

#### 50400-001P



#### 51400-001S

