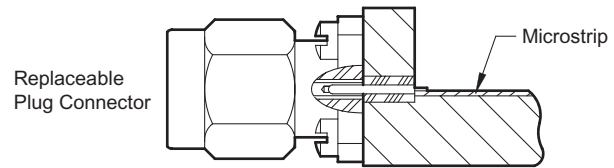
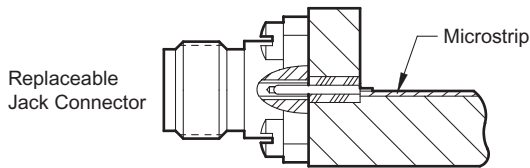


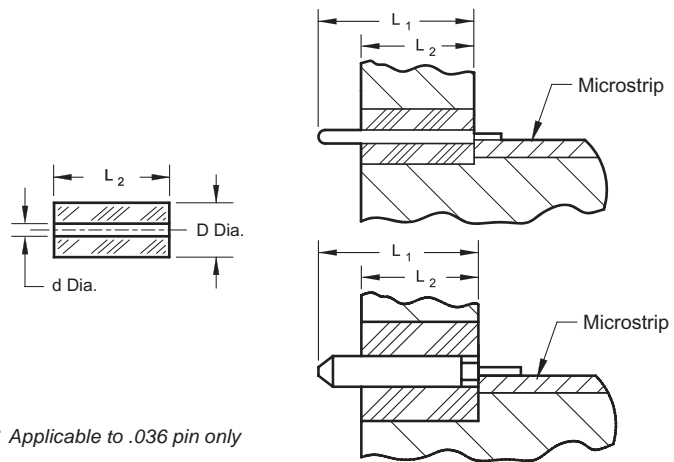
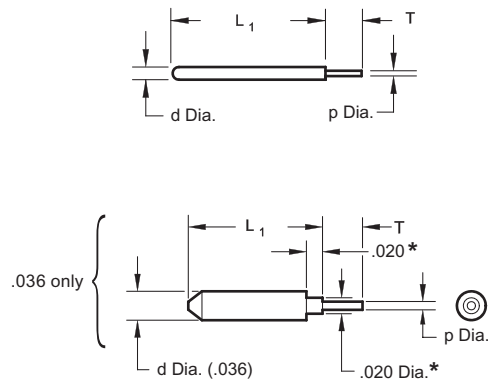
## Launch Pin Transitions to Microstrip Circuits

For Flange Mount Connectors

### Launch Pin and Dielectric Transition to Microstrip



### Dielectric Transition



### Materials / Construction:

- Launch Pin: BeCu Per ASTM B196
- Plating: Gold Over Nickel Per MIL-G-45204
- Dielectric: Virgin PTFE Fluorocarbon Per ASTM D1710

.036	.117	.050	.010	.175	.125	290-37G	290-37P	290-37D
				.237	.187	290-36G	290-36P	290-36D
.020	.064	.030	.007	.160	.125	290-14G	290-14P	290-14D
				.225	.187	290-13G	290-13P	290-13D
.015	.048	.015	.005	.160	.125	290-12G	290-12P	290-12D
				.225	.187	290-11G	290-11P	290-11D
.012	.039	.015	.005	.160	.125	1090-12G	1090-12P	1090-12D
				.225	.187	1090-11G	1090-11P	1090-11D
.009	.029	.015	.005	.160	.125	1490-12G	1490-12P	1490-12D
				.225	.187	1490-11G	1490-11P	1490-11D
d Dia.	D Dia.	T	p Dia.	L <sub>1</sub>	L <sub>2</sub>	Pin & Dielectric	Pin Only	Dielectric Only
Refer to Installation and Tools Section for Drill Information and Tools.						Accessory No.		