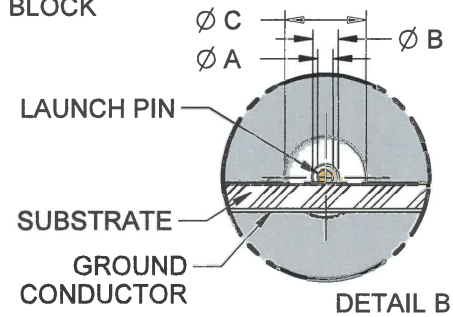
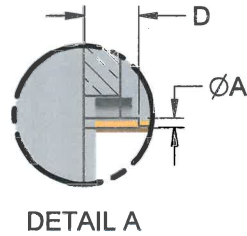
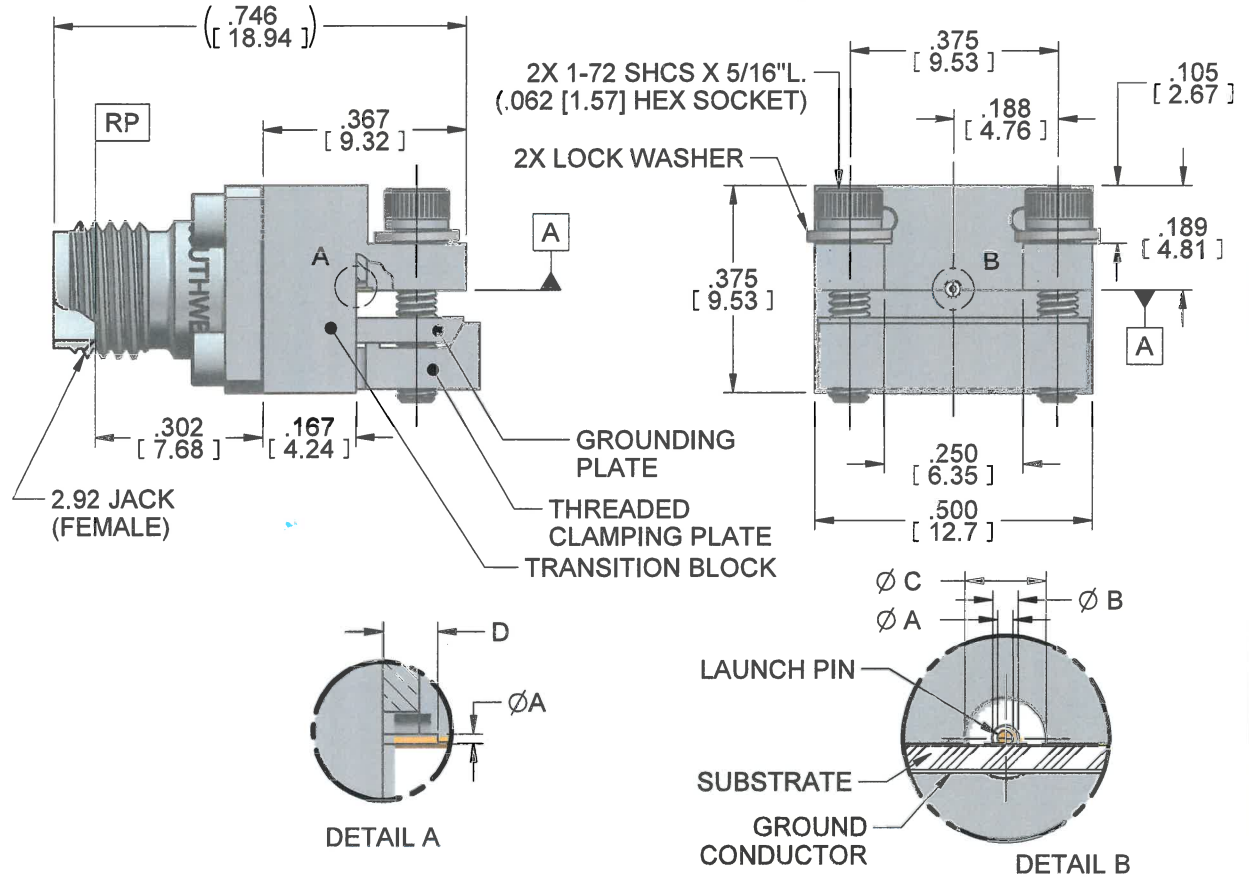
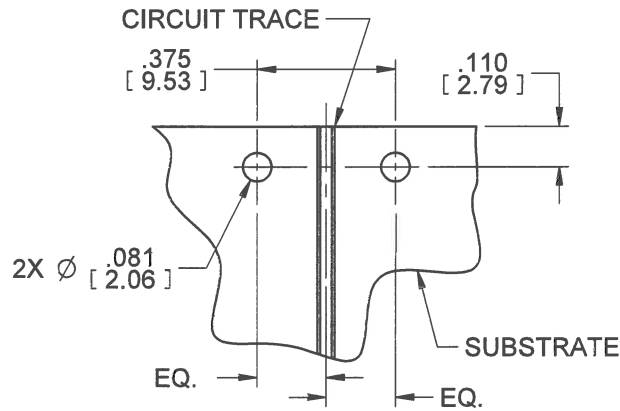


DWG No.:

91Y60926

NOTE: Information herein is believed by Southwest Microwave, Inc. to be accurate. However, Southwest Microwave assumes no responsibility for any omissions or errors or inaccuracies for its use or for any infringements of patents or other rights of third parties that may result from its use. Data is intended for informational purpose only and does not constitute a contract of sale or any express or implied warranty, including any warranty of merchantability or fitness for a particular purpose.



| | |
|-----------------------|--|
| HOUSING: | STEEL, CRES ALLOY UNS-30300 PER ASTM A582 PASSIVATED PER ASTM A967-99 |
| CONTACT: | BeCu UNS-C17300 PER ASTM B196 GOLD PLATE PER ASTM B488 |
| BEAD: | KEL-F (PCTFE) PER ASTM D1430 |
| CAPTURE BEAD: | ULTEM 1000 PER ASTM D5205 |
| ITEM | MATERIAL & FINISH |
| 2.92 CONNECTOR | |

| | |
|--|---|
| TRANSITION BLOCK, GROUNDING PLATE, THREADED CLAMPING PLATE | C360 BRASS ALLOY UNS-C36000 PER ASTM B16. NICKEL PLATE PER AMS 2404B |
| LAUNCH PIN: | BeCu UNS-C17300 PER ASTM B196 GOLD PLATE PER MIL-DTL-45204 |
| TRANSITION BLOCK DIELECTRIC: | VIRGIN PTFE FLUOROCARBON PER ASTM D1710, TYPE 1 GRADE 1, CLASS B |
| ITEM | MATERIAL & FINISH |
| TRANSITION BLOCK | |

| Model | Ø A | Ø B | Ø C | D |
|------------|------|------|-------|------|
| 1092-03A-6 | .010 | .020 | .0635 | .050 |
| 1092-02A-6 | .007 | .015 | .0480 | .030 |
| 1092-04A-6 | .007 | .012 | .0390 | .030 |
| 1092-01A-6 | .005 | .009 | .0290 | .030 |

1. ALL DIMENSIONS ARE IN INCHES. ALL ANGLES ARE IN DEGREES. DIMENSIONS SHOWN IN BRACKETS [XXX] ARE IN MILLIMETERS.

NOTES: UNLESS OTHERWISE SPECIFIED.

| | | | | | |
|-------|------|-------------|---------------|-----------|----------------|
| REV B | 9458 | REV BY: AJS | DATE: 1/21/16 | APRVD: JW | DATE: 06/06/16 |
|-------|------|-------------|---------------|-----------|----------------|



Southwest Microwave, Inc.
9055 South McKemy Street
Tempe, Arizona 85284-2946
Telephone (480) 783-0201
Fax (480) 783-0360

TITLE
**2.92mm JACK (FEMALE)
END LAUNCH CONNECTOR
LOW PROFILE**

| | | | |
|---------------|----------------|-----------------|----------|
| DRN BY: EAG | DATE: 09/26/12 | DWG. NO. | REV. |
| SHEET: 1 OF 1 | | 91Y60926 | B |