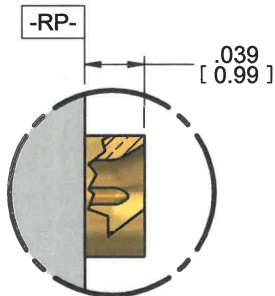
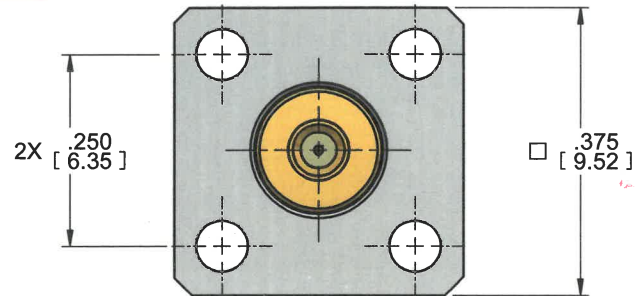
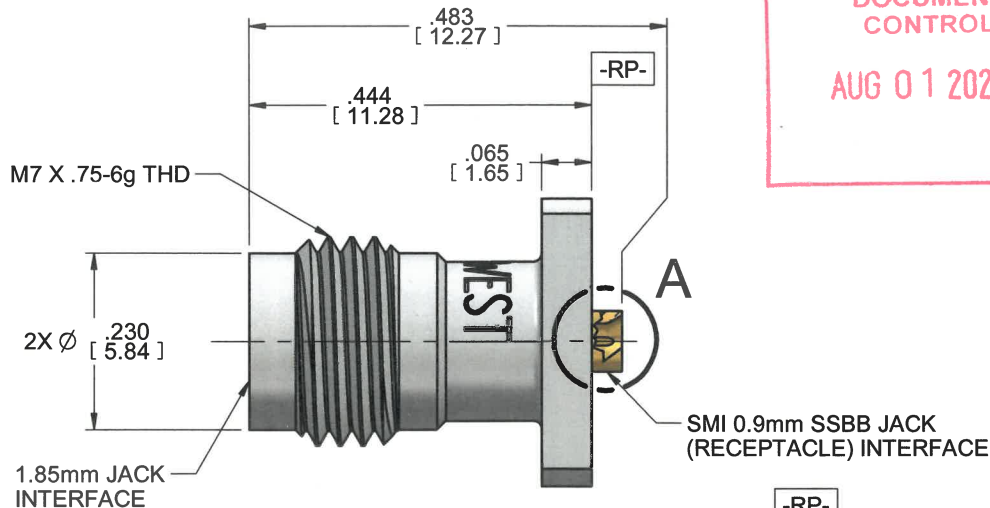


MODEL No.:

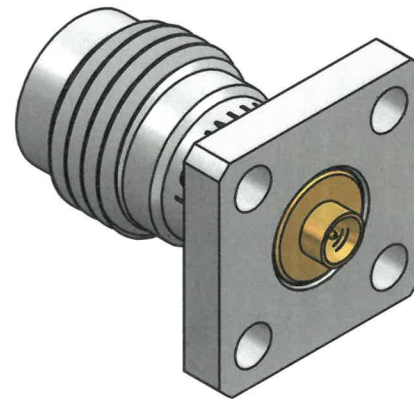
1855010-01SF

NOTE: Information herein is believed by Southwest Microwave, Inc., to be accurate. However, Southwest Microwave assumes no responsibility for any omissions or errors or inaccuracies for its use or for any infringements of patents or other rights of third parties that may result from its use. Data is intended for informational purpose only and does not constitute a contract of sale or any express or implied warranty, including any warranty of merchantability or fitness for a particular purpose

DOCUMENT CONTROL
AUG 01 2022



DETAIL A




HOUSING:	STEEL, CRES ALLOY UNS-30300 PER ASTM A582 PASSIVATED PER ASTM A967
BUSHING RETAINER:	BeCu ALLOY UNS-C17300 TEMPER TD04 PER ASTM B196 GOLD PLATE PER MIL-DTL-45204
CONTACT:	BeCu ALLOY UNS-C17300 TEMPER TD04 PER ASTM B196 GOLD PLATE PER MIL-DTL-45204
CAPTURE BEAD:	ULTEM 1000 PER ASTM D5205
ITEM	MATERIAL & FINISH

SPECIFICATIONS	91R60815
INTERFACE (1.85mm)	91R58312
SPECIFICATION GROUP	DWG NO.

2. CONNECTOR DESIGN IS COMPATIBLE WITH CURRENT MATERIAL AND PROCESS REQUIREMENTS FOR RoHS AND WEEE PER EUROPEAN COMMUNITY DIRECTIVE 2002/95/EC.

1. ALL DIMENSIONS ARE IN INCHES. ALL ANGLES ARE IN DEGREES. DIMENSIONS SHOWN IN BRACKETS [XXX] ARE IN MILLIMETERS.

NOTES: UNLESS OTHERWISE SPECIFIED.

REV A	RELEASE	APRVD. <i>[Signature]</i>	DATE: 7/26/22	TITLE 1.85mm JACK 4 HOLE .375SQ FLANGE TO SSBB20 SMOOTH BORE JACK (67GHz)
 Southwest Microwave, Inc. 9055 South McKerny Street Tempe, Arizona 85284-2946 Telephone (480) 783-0201 Fax (480) 783-0360		DRN BY: DD	DATE: 12/15/21	DWG. NO. 79RV69709
		SCALE: 4:1		
SHEET: 1 OF 1				