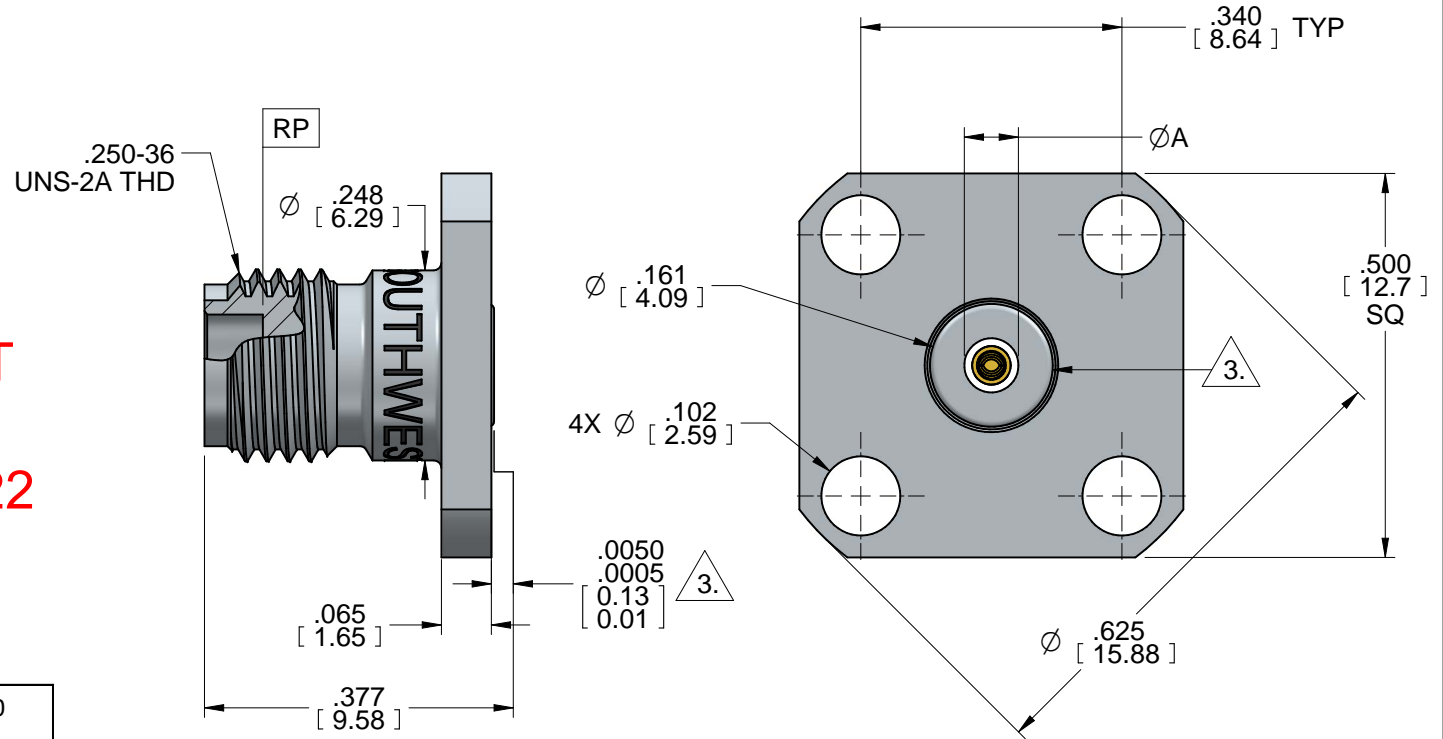


DWG No.:

91K60824

NOTE: Information herein is believed by Southwest Microwave, Inc. to be accurate. However, Southwest Microwave assumes no responsibility for any omissions or errors or inaccuracies for its use or for any infringements of patents or other rights of third parties that may result from its use. Data is intended for informational purpose only and does not constitute a contract of sale or any express or implied warranty, including any warranty of merchant ability or fitness for a particular purpose.

DOCUMENT  
CONTROL  
OCT 18 2022




|               |   |
|---------------|---|
| HOUSING:      | STEEL, CRES ALLOY UNS-S30300<br>PER ASTM A582<br>PASSIVATED PER ASTM A967 |
| CONTACT:      | BeCu UNS-C17300 PER ASTM B196<br>GOLD PLATE PER ASTM B488                 |
| BEAD:         | KEL-F (PCTFE) PER ASTM D1430  |
| CAPTURE BEAD: | ULTEM 1000 PER ASTM D5205   |
| ITEM          | MATERIAL & FINISH   |

| Model     | Pin Size | Max. Pin Depth | Ø A   |
|-----------|----------|----------------|-------|
| 1012-05SF | .020     | .065           | .0705 |
| 1012-01SF | .012     | .065           | .0483 |
| 1012-22SF | .009     | .065           | .0431 |

3. 360° RAISED METAL GROUNDING RING.

- SEE DOCUMENT NO. 91K60836 FOR PRODUCT SPECIFICATIONS.
- ALL DIMENSIONS ARE IN INCHES. ALL ANGLES ARE IN DEGREES. DIMENSIONS SHOWN IN BRACKETS [XXX] ARE IN MILLIMETERS.

NOTES: UNLESS OTHERWISE SPECIFIED.

|  |         |               |              |                   |  |                  |          |      |
|--|---------|---------------|--------------|-------------------|--|------------------|----------|------|
| REV<br>C   | ECN 839 | REV BY<br>JAC | APRVD.<br>DE | DATE:<br>10/18/22 | TITLE<br><b>2.92 Jack (Female)<br/>.500" Square Flange</b> |                  |          |      |
|  Southwest Microwave, Inc.<br>9055 South McKemy Street<br>Tempe, Arizona 85284-2946<br>Telephone (480) 783-0201<br>Fax (480) 783-0360 |         |               |              |                   | DRN BY:<br>EAG   | DATE:<br>5/30/12 | DWG. NO. | REV. |
|  |         |               |              |                   | SHEET: 1 OF 1  |                  | 91K60824 | C    |