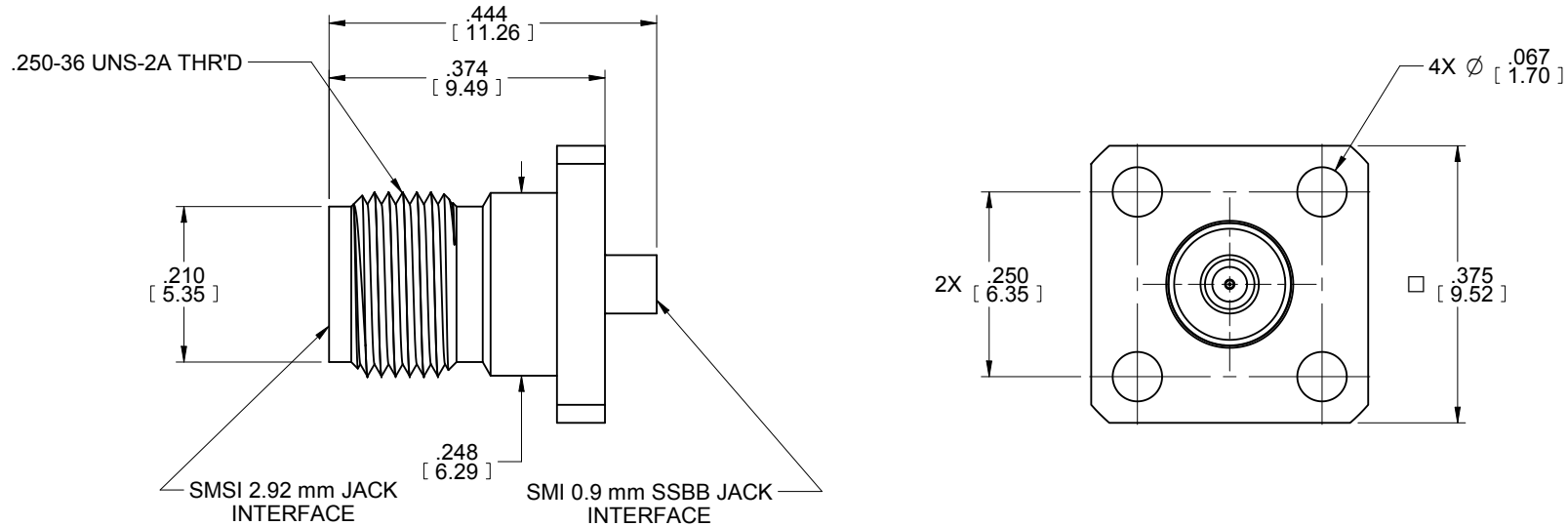


MODEL No.:

105310-00SF

NOTE: Information herein is believed by Southwest Microwave, Inc., to be accurate. However, Southwest Microwave assumes no responsibility for any omissions or errors or inaccuracies for its use or for any infringements of patents or other rights of third parties that may result from its use. Data is intended for informational purpose only and does not constitute a contract of sale or any express or implied warranty, including any warranty of merchantability or fitness for a particular purpose



3. MATERIAL AND FINISH:

3.1 MATERIALS

CENTER CONTACT AND BUSHING:

BeCu ALLOY

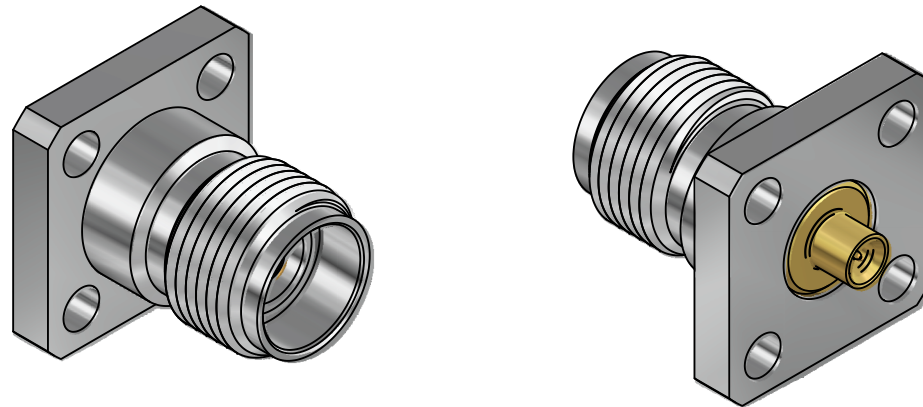
BEAD RINGS:

FRONT, HIGH TEMPERATURE POLYMER

REAR, ULTEM 1000

HOUSING:

STAINLESS STEEL



3.2 FINISHES

CENTER CONTACT AND BUSHING:

GOLD PLATE PER MIL-DTL-45204


HOUSING:

ELECTROPOLISH

2. CONNECTOR DESIGN IS COMPATIBLE WITH CURRENT MATERIAL AND PROCESS REQUIREMENTS FOR RoHS AND WEEE PER EUROPEAN COMMUNITY DIRECTIVE 2002/95/EC.

1. ALL DIMENSIONS ARE IN INCHES. ALL ANGLES ARE IN DEGREES. DIMENSIONS SHOWN IN BRACKETS [XXX] ARE IN MILLIMETERS.

NOTES: UNLESS OTHERWISE SPECIFIED.

REV. A	RELEASE (WAS SKBC3575)	APRVD: B.CLYATT	DATE: 5/2/13	TITLE ADAPTER, FLANGED SSBB SIZE 20 JACK TO 2.92 mm JACK 4 HOLE, .375 SQ. FLANGE	
 <p><b>SOUTHWEST MICROWAVE</b></p>		<p>Southwest Microwave, Inc. 9055 South McKemy Street Tempe, Arizona 85284-2946 Telephone (480) 783-0201 Fax (480) 783-0360</p>		DRN BY: D HAKE	DATE: 04/12/13
				MODEL NO. <b>105310-00SF</b>	REV. <b>A</b>
		SHEET: 1 OF 1		DWG. NO. <b>79BB61109</b>	