

MODEL No.:

**79Y57609**

NOTE: Information herein is believed by Southwest Microwave, Inc. to be accurate. However, Southwest Microwave assumes no responsibility for any omissions or errors or inaccuracies for its use or for any infringements of patents or other rights of third parties that may result from its use. Data is intended for informational purpose only and does not constitute a contract of sale or any express or implied warranty, including any warranty of merchant ability or fitness for a particular purpose.

**SPECIFICATIONS**

**1.0 ENGINEERING DATA**

NOMINAL IMPEDANCE	50 OHMS
FREQUENCY	DC TO 40 GHZ
VOLTAGE RATING	500 VOLTS RMS @ SEA LEVEL 100 VOLTS RMS @ 70,000 FT.
TEMPERATURE RANGE	-55° TO +165°C

**2.0 MECHANICAL**

**2.1 MATERIAL AND FINISH**

OUTER CONDUCTOR HOUSING	STEEL, CRES ALLOY UNS-S30300 PER ASTM A582. GOLD PLATE PER MIL-DTL-45204
CENTER CONDUCTOR	BERYLLIUM COPPER UNS-C17300 PER ASTM B196 GOLD PLATE PER MIL-DTL-45204
DIELECTRIC	VIRGIN PTFE FLUOROCARBON PER ASTM D1710 TYPE 1, GRADE 1, CLASS B AND ASTM D1457 OR ASTM D4894
CAPTURE BEAD	ULTEM 1000 PER ASTM D5205

**2.2 CONFIGURATION AND FEATURES**

CENTER CONTACT RETENTION 6 LBS (27 N) AXIAL MINIMUM

**2.3 SOCKET REQUIREMENTS**

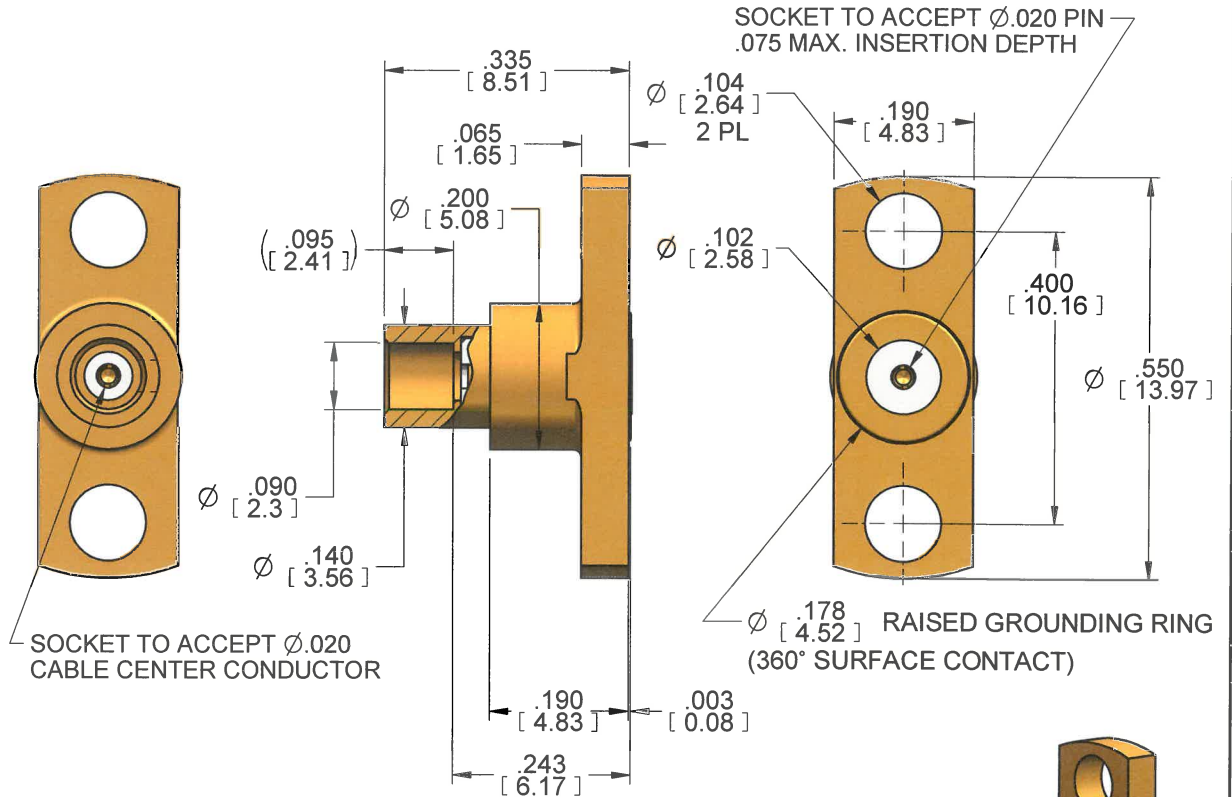
INSERTION FORCE (CABLE SOCKET)	2.0 LB MAXIMUM
WITHDRAWAL FORCE(CABLE SOCKET)	1.0 oz MINIMUM
INSERTION FORCE (LAUNCH SOCKET)	2.0 LB MAXIMUM
WITHDRAWAL FORCE(LAUNCH SOCKET)	0.5 oz MINIMUM

**3.0 ELECTRICAL**

INSULATION RESISTANCE	NOT LESS THAN 5000 MEGOHMS
DIELECTRIC WITHSTANDING VOLTAGE	500 VOLTS RMS
CONTACT RESISTANCE	3.0 MILLIOHMS (INITIAL) 4.0 MILLIOHMS (AFTER ENVIRONMENT) 2.0 MILLIOHMS (OUTER CONDUCTOR)
VOLTAGE STANDING WAVE RATIO (TESTED ON CABLE ASSEMBLY)	DC TO 40 GHZ ..... 1.4:1 MAX VSWR
RF LEAKAGE	-(120 - fGHz) dB Maximum

**4.0 ENVIRONMENTAL**

VIBRATION	PER MIL-STD-202, METHOD 204, TEST CONDITION D (20G PEAK)
SHOCK	PER MIL-STD-202, METHOD 213, TEST CONDITION I (100G PEAK)
THERMAL SHOCK	PER MIL-STD-202, METHOD 107, TEST CONDITION F (-65° C TO +150° C)
CORROSION (SALT SPRAY)	PER MIL-STD-202, METHOD 101, TEST CONDITION B (48 HOURS) (5% SALT SOLUTION)
MOISTURE RESISTANCE	PER MIL-STD-202, METHOD 106, OMIT 7B (VIBRATION), INSULATION RESISTANCE SHALL BE 500 MEGOHMS MINIMUM
CORONA LEVEL	100 VOLTS RMS @ 70,000 FT.



2. FOR CABLE PREPARATION AND TERMINATION INSTRUCTIONS REFER TO SMI DOCUMENT # 91S59916.
1. ALL DIMENSIONS ARE IN INCHES. ALL ANGLES ARE IN DEGREES. DIMENSIONS SHOWN IN BRACKETS [XXX] ARE IN MILLIMETERS.

NOTES: UNLESS OTHERWISE SPECIFIED.

REV B1	ECN 8957	DATE: 3/2/11	APRVD: BR	DATE: 5/11/11
--------	----------	--------------	-----------	---------------



Southwest Microwave, Inc.  
9055 South McKemy Street  
Tempe, Arizona 85284-2946  
Telephone (480) 783-0201  
Fax (480) 783-0360

TITLE  
DIRECT SOLDER FLANGE MOUNT CONNECTOR  
FOR .086 SEMI-RIGID CABLE APPLICATION TO Ø.020 LAUNCH  
2 HOLE .550 LONG X .190 WIDE FLANGE

DRN BY: SS	DATE: 11/02	MODEL NO. 108-12G	REV. B1
SCALE: 3:1		DWG. NO. 79Y57609	
SHEET: 1 OF 1			