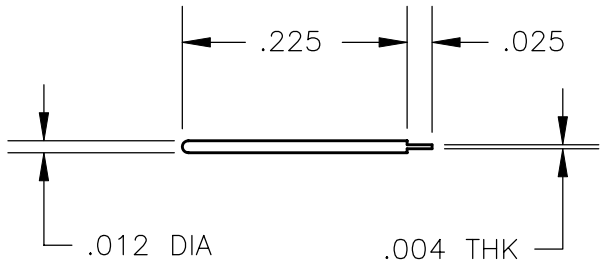
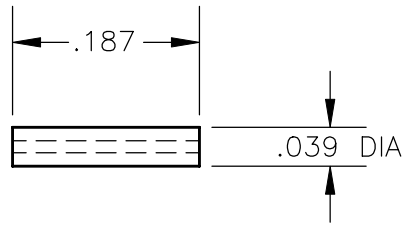


NOTE: Information herein is believed by Southwest Microwave, Inc. to be accurate. However, Southwest Microwave assumes no responsibility for any omissions or errors or inaccuracies for its use or for any infringements of patents or other rights of third parties that may result from its use. Data is intended for informational purpose only and does not constitute a contract of sale or any express or implied warranty, including any warranty of merchant ability or fitness for a particular purpose.



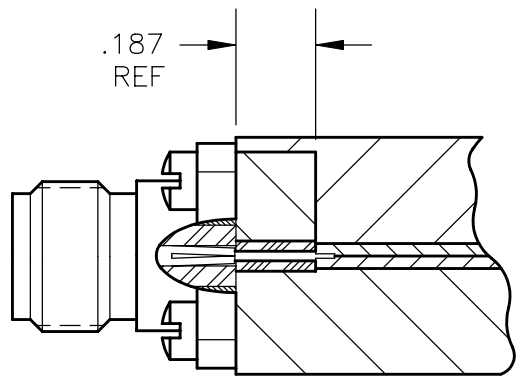
PIN/TAB
1090-07P



DIELECTRIC
1090-07D

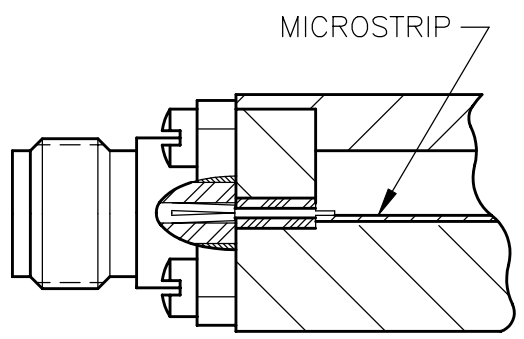
APPLICATION

STRIPLINE TRANSITION LAUNCH



CATALOG CONNECTOR MODELS

SMA	2.92mm
211-10,-12,-20SF	1011-01,-11SF
212-13,-26,-29SF	1012-01,-11SF
213-08,-11,-24SF	1013-01,-11,-21SF
214-08,-11,-24SF	1014-01,-11,-21SF



PIN/TAB: BeCu
UNS-C17300 PER ASTM-B-196/197.
GOLD PLATE PER MIL-G-45204.

DIEL: VIRGIN TFE FLUOROCARBON PER
ASTM-D-1710, TYPE 1, GRADE 1,
CLASS B, AND ASTM-D-1457.

MATERIAL & FINISH

REV: A3 ECN: 6300 DATE: 7-3-95

DRAWN DK	DATE 9-16-94	APRVD. GH	DATE 9-20-94
-------------	-----------------	--------------	-----------------

TITLE
1090-07G
PIN/TAB, .012 DIA X .225L X .025 TAB
WITH .187 LONG DIELECTRIC



Southwest Microwave, Inc.
9055 South McKemy Street
Tempe, Arizona 85284-2946
Telephone (480) 783-0201
Fax (480) 783-0360

DATE 9/94	DWG. NO. 79K53566	REV. A4
SHEET 1 OF 1		