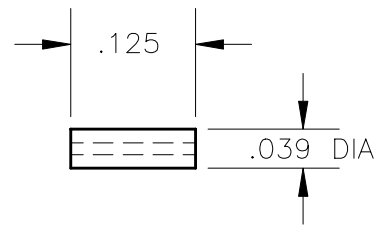
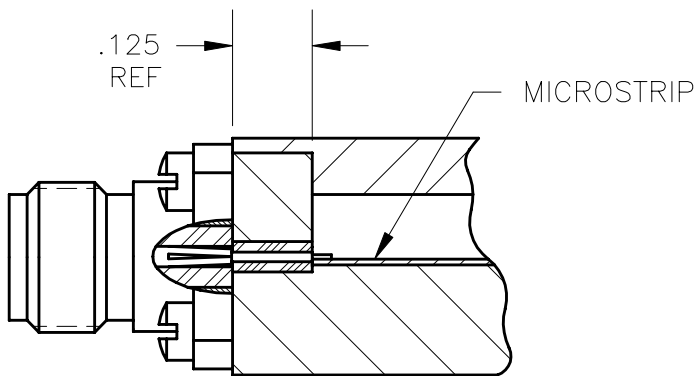


LAUNCH PIN  
1090-12P



DIELECTRIC  
1090-12D

APPLICATION



LAUNCH PIN: BeCu  
UNS-C17300 PER ASTM-B-196/197.  
GOLD PLATE PER MIL-G-45204.


DIEL: VIRGIN TFE FLUOROCARBON PER  
ASTM-D-1710, TYPE 1, GRADE 1,  
CLASS B, AND ASTM-D-1457.

CATALOG CONNECTOR MODELS

SMA	2.92mm
211-10,-12,-20SF	1011-01,-11SF
212-13,-26,-29SF	1012-01,-11SF
213-08,-11,-24SF	1013-01,-11,-21SF
214-08,-11,-24SF	1014-01,-11,-21SF

MATERIAL & FINISH

REV: A3    ECN: 6300    DATE: 7-3-95

DRAWN DK	DATE 3-22-95	APRVD. GH	DATE 3-27-95	TITLE 1090-12G LAUNCH PIN, .012 DIA X .160 LONG WITH .125 LONG DIELECTRIC
 Southwest Microwave, Inc. 9055 South McKemy Street Tempe, Arizona 85284-2946 Telephone (480) 783-0201 Fax (480) 783-0360				DATE 3/95 SHEET 1 OF 1
			DWG. NO. 79K53068	REV. A4