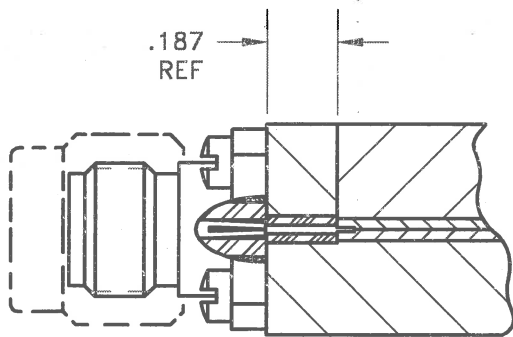


DIELECTRIC
1490-02D

APPLICATION

STRIPLINE TRANSITION LAUNCH



DIEL: VIRGIN TFE FLUOROCARBON PER
ASTM-D-1710, AND ASTM-D-1457.

MATERIAL & FINISH

A		RELEASE	7/29/01	B.Z.
REV.	ECN	DESCRIPTION	DATE	APPVD

DRAWN SS	DATE 9/11/01	APPVD. <i>B. Linn</i>	DATE 7/29/01
-------------	-----------------	--------------------------	-----------------

TITLE	1490-02D DIELECTRIC (.009) X .187 LONG
-------	---



Southwest Microwave, Inc.
9055 South McKerny Street
Tempe, Arizona 85284-2946
Telephone (480) 783-0201
Fax (480) 783-0360

SCALE NONE	DWG. NO. 79P57123	REV. A
SHEET 1 OF 1		