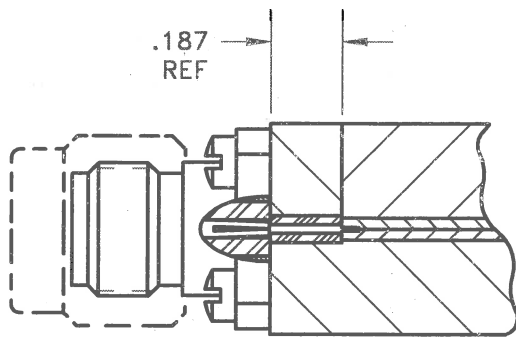


PIN/TAB
1490-02P

DIELECTRIC
1490-02D

APPLICATION

STRIPLINE TRANSITION LAUNCH



PIN/TAB BeCu
UNS-C17300 PER ASTM-B-196/197.
GOLD PLATE PER MIL-G-45204.

DIEL: VIRGIN TFE FLUOROCARBON PER
ASTM-D-1710, AND ASTM-D-1457.

MATERIAL & FINISH

A		RELEASE	9/29/01	<i>B.F.</i>
REV.	ECN	DESCRIPTION	DATE	APPVD

DRAWN SS	DATE 9/11/01	APRVD. <i>B. Lee</i>	DATE 7/28/01
-------------	-----------------	-------------------------	-----------------

TITLE
1490-02G
PIN/TAB (.009) DIA X .225 LONG .015 TAB
WITH .187 LONG DIELECTRIC



Southwest Microwave, Inc.
9055 South McKerny Street
Tempe, Arizona 85284-2946
Telephone (480) 783-0201
Fax (480) 783-0360

SCALE NONE	DWG. NO. 79P57124	REV. A
SHEET 1 OF 1		