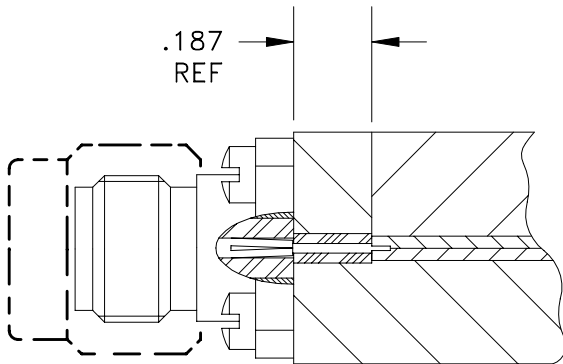


PIN/TAB  
1490-02P

APPLICATION

STRIPLINE TRANSITION LAUNCH



PIN/TAB BeCu  
UNS-C17300 PER ASTM-B-196/197.  
GOLD PLATE PER MIL-G-45204.

MATERIAL & FINISH

A	RELEASE	9/28/01	B.LANE
REV.	ECN	DESCRIPTION	DATE APPVD

DRAWN SS	DATE 9/11/01	APRVD. B.LANE	DATE 9/28/01
-------------	-----------------	------------------	-----------------

TITLE	1490-02P
	PIN/TAB (.009) DIA X .225 LONG .015 TAB



Southwest Microwave, Inc.  
9055 South McKemy Street  
Tempe, Arizona 85284-2946  
Telephone (480) 783-0201  
Fax (480) 783-0360

SCALE	NONE	DWG. NO.	79P57125	REV.	A
SHEET	1 OF 1				