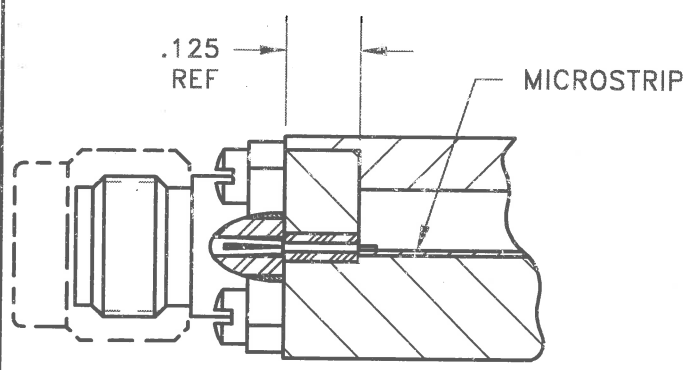


LAUNCH PIN  
 1490-12P

APPLICATION



LAUNCH PIN: BeCu  
 UNS-C17300 PER ASTM-B-196/197.  
 GOLD PLATE PER MIL-G-45204.

MATERIAL & FINISH

DRAWN SS	DATE 9/11/01	APRVD. <i>B. L...</i>	DATE 9/29/01
-------------	-----------------	--------------------------	-----------------

A	RELEASE	7/21/01	B.L.
REV.	ECN	DESCRIPTION	DATE APPVD

TITLE	1490-12P LAUNCH PIN (.009) DIA X .160 LONG W/.005 DIA X .015 TAB
-------	--



**Southwest Microwave, Inc.**  
 9055 South McKemy Street  
 Tempe, Arizona 85284-2946  
 Telephone (480) 783-0201  
 Fax (480) 783-0360

SCALE NONE	DWG. NO. 79P57136	REV. A
SHEET 1 OF 1		

O.L-A-303