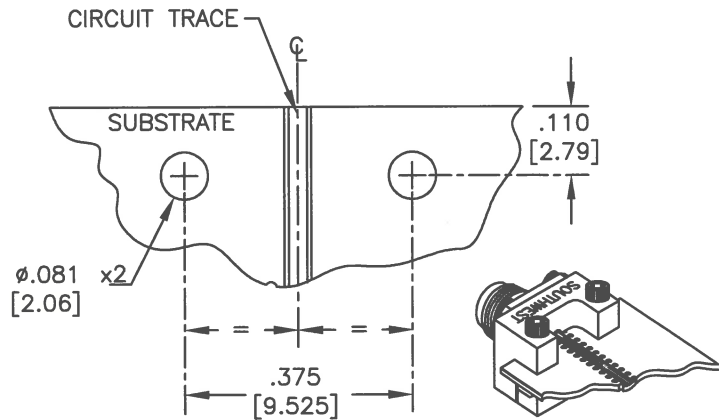
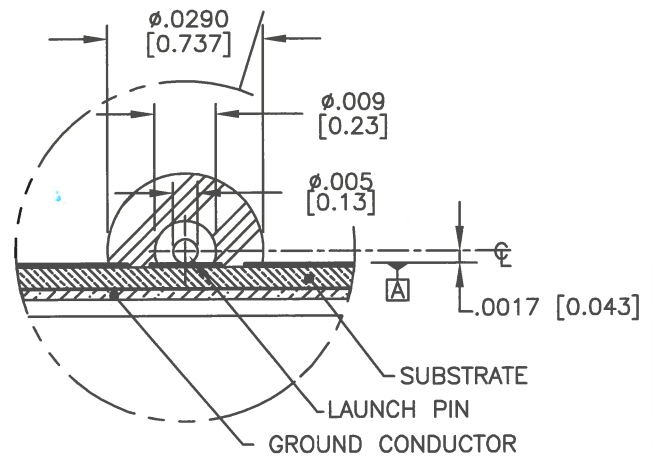
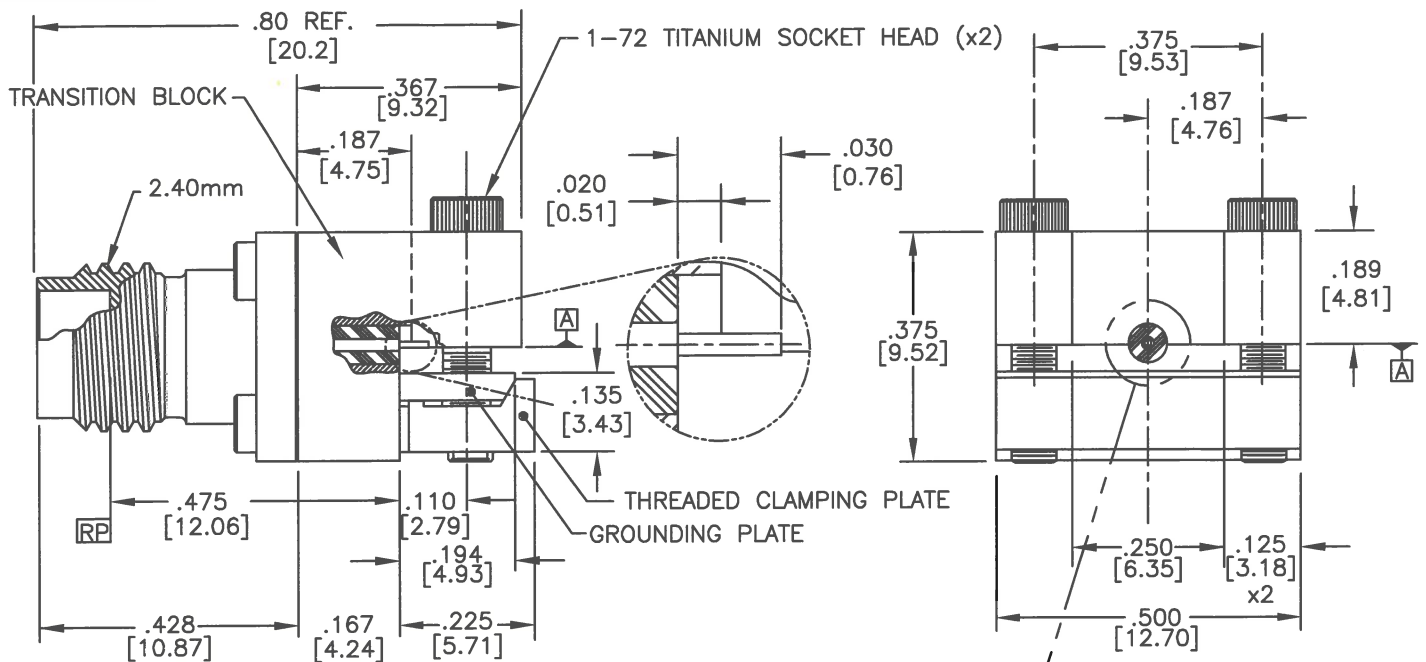


NOTE: Information herein is believed by Southwest Microwave, Inc. to be accurate. However, Southwest Microwave assumes no responsibility for any omissions or errors or inaccuracies for its use or for any infringements of patents or other rights of third parties that may result from its use. Data is intended for informational purpose only and does not constitute a contract of sale or any express or implied warranty, including any warranty of merchant ability or fitness for a particular purpose.



FIELD REPLACEABLE 2.40 CONNECTOR

HOUSING:	C360 BRASS ALLOY, UNS-C36000 PER ASTM B16 ALBALOY PLATE (COPPER/TIN/ZINC)
CONTACT:	BeCu ALLOY, UNS-C17300 PER ASTM B196 ALBALOY PLATE (COPPER/TIN/ZINC)
DIELECTRIC BEAD:	KEL-F (PCTFE) PER ASTM D1430
CAPTURE BEAD:	ULTEM 1000 PER ASTM D5205
TRANSITION BLOCK ASSEMBLY	
BLOCK:	C360 BRASS ALLOY, UNS-C36000 PER ASTM B16 ALBALOY PLATE (COPPER/TIN/ZINC)
GROUNDING PLATE:	
THREADED PLATE:	
LAUNCH PIN:	BeCu ALLOY, UNS-C17300 PER ASTM B196 ALBALOY PLATE (COPPER/TIN/ZINC)
DIELECTRIC:	VIRGIN PTFE FLUOROCARBON PER ASTM D1710
FASTENERS:	TITANIUM
ITEM	MATERIAL & FINISH

1. ALL DIMENSIONS ARE IN INCHES, ALL ANGLES ARE IN DEGREES. DIMENSIONS SHOWN IN BRACKETS [XXX] ARE MILLIMETERS. METRIC DIMENSIONS ARE FOR "REFERENCE ONLY".

NOTES: UNLESS OTHERWISE SPECIFIED

REV C	9458	REV BY: AJS	DATE: 1/21/16	APRVD. JW	DATE: 06/06/16	TITLE 2.40 JACK (FEMALE) END LAUNCH CONNECTOR $\phi.005$ LAUNCH PIN WITH $\phi.0290$ DIELECTRIC
DRN BY: EJO		DATE: 5/11		MODEL NO. 1492-04Z-5		REV. C
SCALE: 3:1		SHEET: 1 OF 1		DWG. NO. 79Y59919		



Southwest Microwave, Inc.
9055 South McKemy Street
Tempe, Arizona 85284-2946
Telephone (480) 783-0201
Fax (480) 783-0360