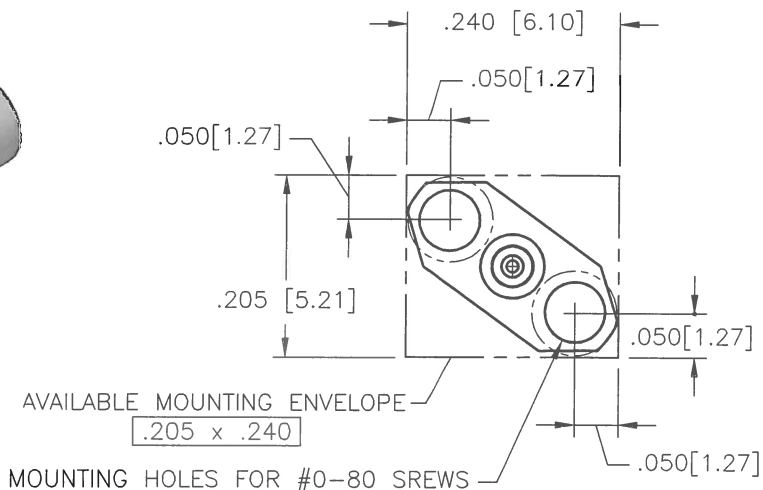
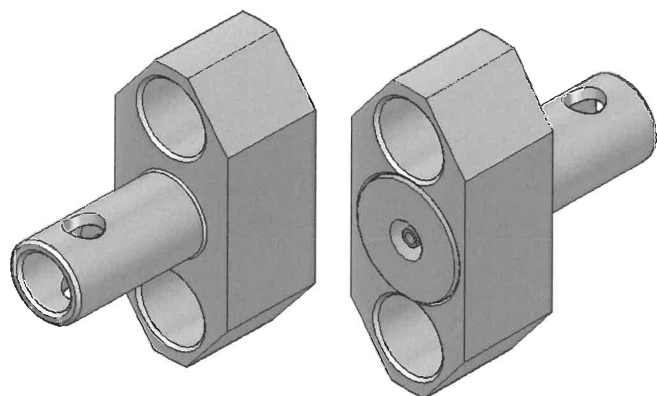
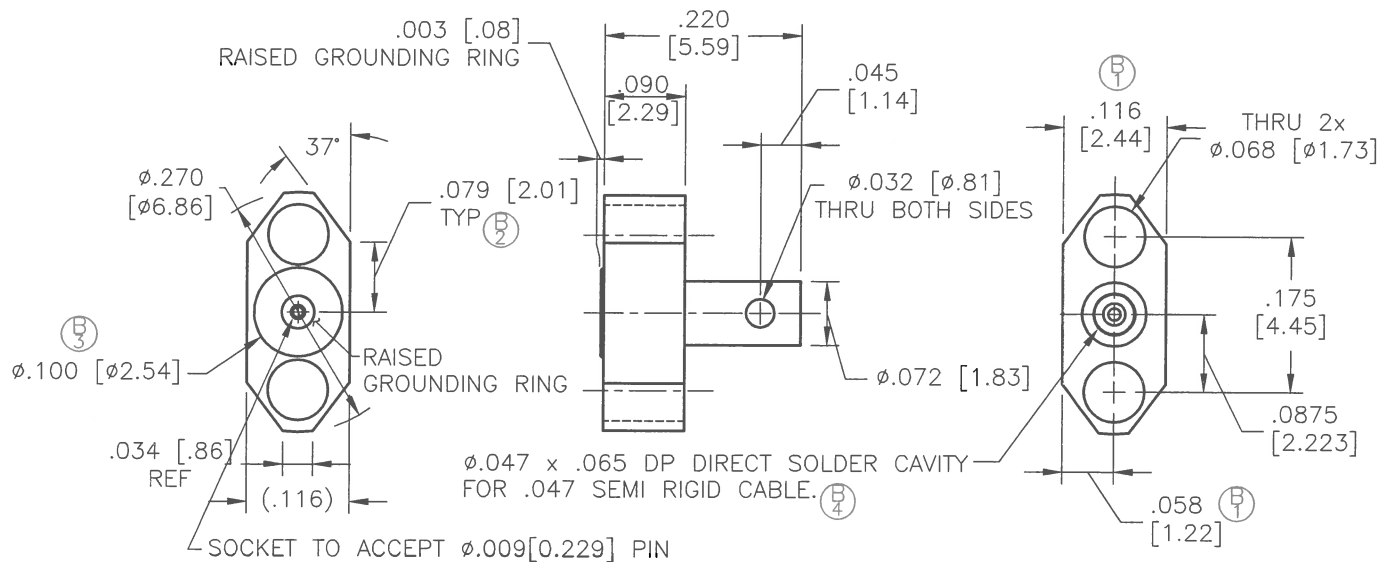


NOTE: Information herein is believed by Southwest Microwave, Inc. to be accurate. However, Southwest Microwave assumes no responsibility for any omissions or errors or inaccuracies for its use or for any infringements of patents or other rights of third parties that may result from its use. Data is intended for informational purpose only and does not constitute a contract of sale or any express or implied warranty, including any warranty of merchant ability or fitness for a particular purpose.



1. ALL DIMENSIONS ARE IN INCHES, ALL ANGLES ARE IN DEGREES. DIMENSIONS SHOWN IN BRACKETS [XXX] ARE IN MILLIMETERS.

TOLERANCES ARE BASED UPON DIMENSIONS IN INCHES. METRIC DIMENSIONS ARE FOR "REFERENCE ONLY".

HOUSING:	BeCu
CONTACT:	UNS-C17300 PER ASTM-B-196/197
GROUNDING RING:	GOLD PLATE OVER NICKEL
CONCENTRICITY BEAD:	ULTEM 1000 PER ASTM-D-5205.
ITEM	MATERIAL & FINISH

NOTES: UNLESS OTHERWISE SPECIFIED

REV B	DWG UPDATE	DATE: 10/4/07	APRVD: <i>[Signature]</i>	DATE: 10/9/07
-------	------------	---------------	---------------------------	---------------



Southwest Microwave, Inc.
9055 South McKemy Street
Tempe, Arizona 85284-2946
Telephone (480) 783-0201
Fax (480) 783-0360

TITLE				REV. B
DIRECT SOLDER TERMINATION .047 S.R. CABLE TO 0.009 HERMETIC PIN				
DRN BY: EJO	DATE: 3/07	MODEL NO. 1503-00G	DWG. NO. (SK-2402)	
SCALE: 5:1	79Y59805			
SHEET: 1 OF 1				