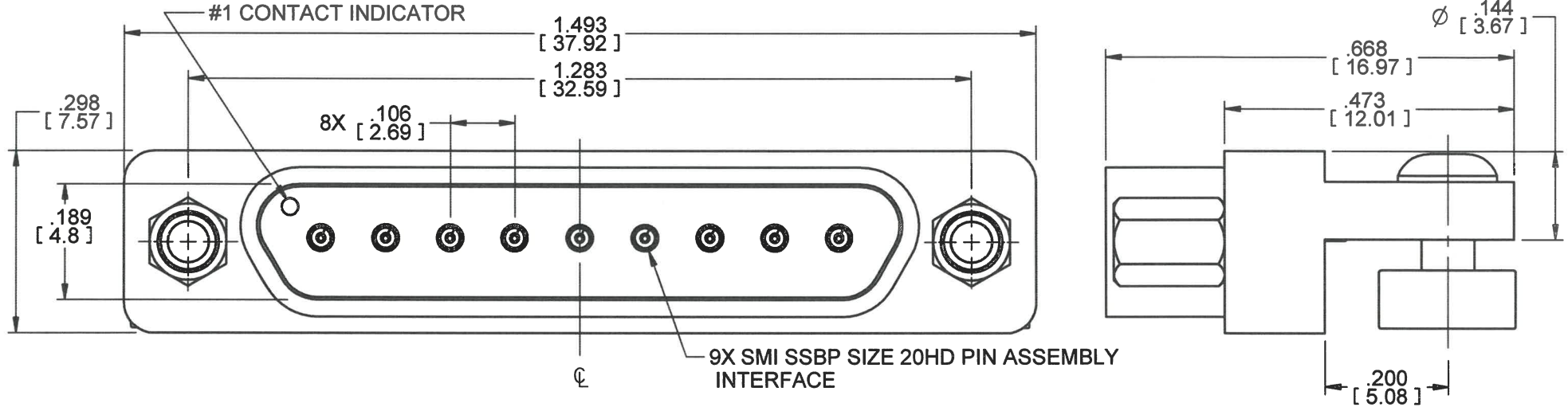


MODEL No.:

17500-4006P

NOTE: Information herein is believed by Southwest Microwave, Inc. to be accurate. However, Southwest Microwave assumes no responsibility for any omissions or errors or inaccuracies for its use or for any infringements of patents or other rights of third parties that may result from its use. Data is intended for informational purpose only and does not constitute a contract of sale or any express or implied warranty, including any warranty of merchant ability or fitness for a particular purpose.



3. MATERIAL AND FINISH:

3.1 MATERIALS

3.1.1 CONTACTS AND BUSHINGS:

- BeCu ALLOY

3.1.2 DIELECTRICS:

- HIGH TEMPERATURE POLYMER

3.1.3 NUT PLATE, JACK POSTS AND CAP SCREWS:

- STAINLESS STEEL

3.1.4 HOUSING:

- ALUMINUM

3.1.5 POTTING COMPOUND

- VARY FLEX TYPE HV

3.2 FINISHES

3.2.1 CONTACTS AND BUSHINGS:

- GOLD PLATE PER MIL-DTL-45204

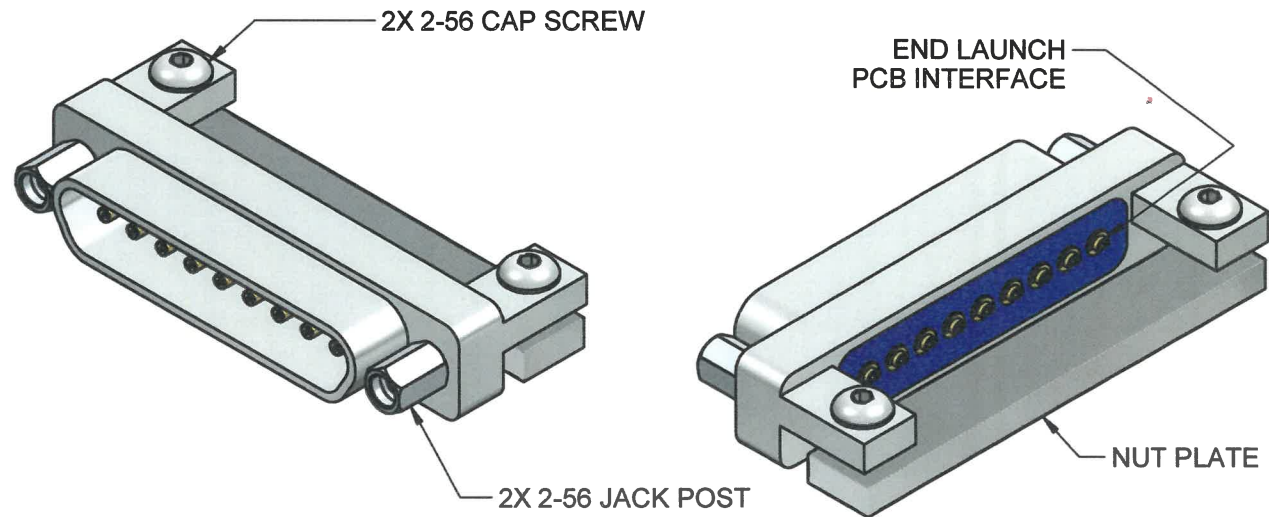
3.2.2 HOUSING:


- ELECTROLESS NICKEL PLATE PER MIL-C-26074

2. CONNECTOR DESIGN IS COMPATIBLE WITH CURRENT MATERIAL AND PROCESS REQUIREMENTS FOR RoHS AND WEEE PER EUROPEAN COMMUNITY DIRECTIVE 2002/95/EC.

1. ALL DIMENSIONS ARE IN INCHES. ALL ANGLES ARE IN DEGREES. DIMENSIONS SHOWN IN BRACKETS [XXX] ARE IN MILLIMETERS.

NOTES: UNLESS OTHERWISE SPECIFIED.




ECN PROD. REL.	APRVD:	DATE:	APRVD: <i>B. Chy at</i>	DATE: <i>4/25/14</i>	TITLE RECEPTACLE, 9 POSITION, MICRO-D SSBP SIZE 20HD PIN ASSY EDGE MOUNT, Ø.009 LAUNCH PIN			
 Southwest Microwave, Inc. 9055 South McKemy Street Tempe, Arizona 85284-2946 Telephone (480) 783-0201 Fax (480) 783-0360					DRN BY: D.HAKE	DATE: 04/25/14	MODEL NO. 17500-4006P	REV. A
					SHEET: 1 OF 1		DWG. NO. 79BP61524	

MODEL No.:

17500-4006P

NOTE: Information herein is believed by Southwest Microwave, Inc. to be accurate. However, Southwest Microwave assumes no responsibility for any omissions or errors or inaccuracies for its use or for any infringements of patents or other rights of third parties that may result from its use. Data is intended for informational purpose only and does not constitute a contract of sale or any express or implied warranty, including any warranty of merchant ability or fitness for a particular purpose.

REV.	ECN	CHANGE DESCRIPTION	REV BY	DATE	APPR.
X0		PROTOTYPE RELEASE		11/21/11	B.C.
X1	N/A		DRH		
X2	N/A	1. REDRAWN IN NEW FORMAT. 2. DELETED DIM Ø.245/[6.22]. 3. ADDED RECEPTACLE VERT DIM .189/[4.8]. 4. OVERALL WIDTH 1.493/[37.92] WAS 1.475/[37.46]. 5. JACK POST CENTER DIM 1.283/[32.59] WAS 1.265/[32.13].	DRH	3/14/14	B.C.
A		PRODUCTION RELEASE		4/25/14	B.C.

ECN PROD. REL.	APRVD:	DATE:	APRVD:	DATE:	TITLE RECEPTACLE, 9 POSITION, MICRO-D SSBP SIZE 20HD PIN ASSY EDGE MOUNT, Ø.009 LAUNCH PIN			
 Southwest Microwave, Inc. 9055 South McKemy Street Tempe, Arizona 85284-2946 Telephone (480) 783-0201 Fax (480) 783-0360					DRN BY: D.HAKE	DATE: 04/25/14	MODEL NO. 17500-4006P	REV. A
					SHEET: 1 OF 1		DWG. NO. 79BP61524	