

MODEL No.:

17500-4010P

NOTE: Information herein is believed by Southwest Microwave, Inc. to be accurate. However, Southwest Microwave assumes no responsibility for any omissions or errors or inaccuracies for its use or for any infringements of patents or other rights of third parties that may result from its use. Data is intended for informational purpose only and does not constitute a contract of sale or any express or implied warranty, including any warranty of merchant ability or fitness for a particular purpose.

3. MATERIALS AND FINISH:

3.1 MATERIALS

3.1.1 HOUSING
- ALUMINUM

3.1.2 INSULATORS:
- HIGH TEMPERATURE POLYMER

3.1.3 RETENTION CLIPS:
- BERYLLIUM COPPER

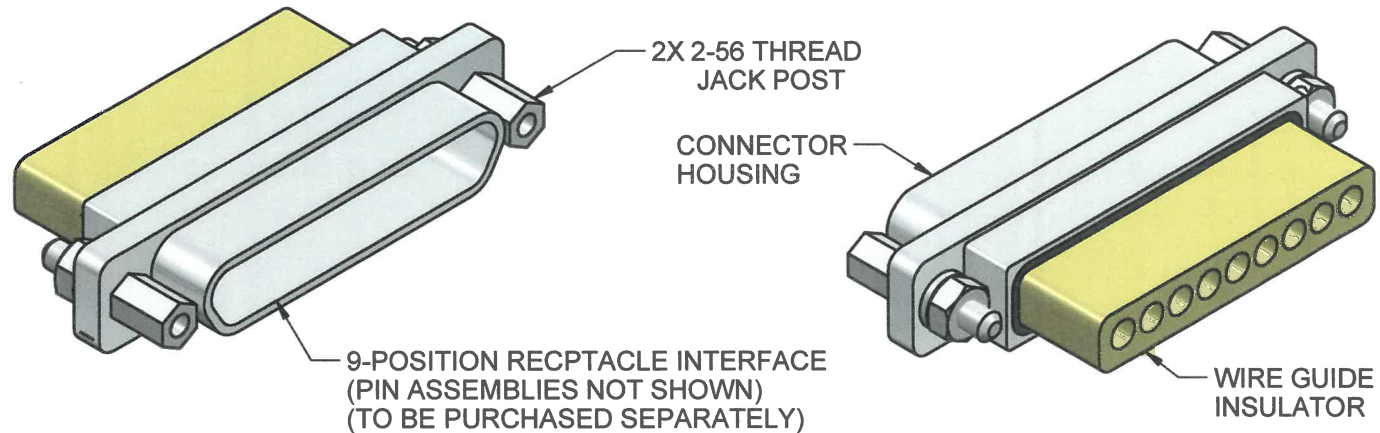
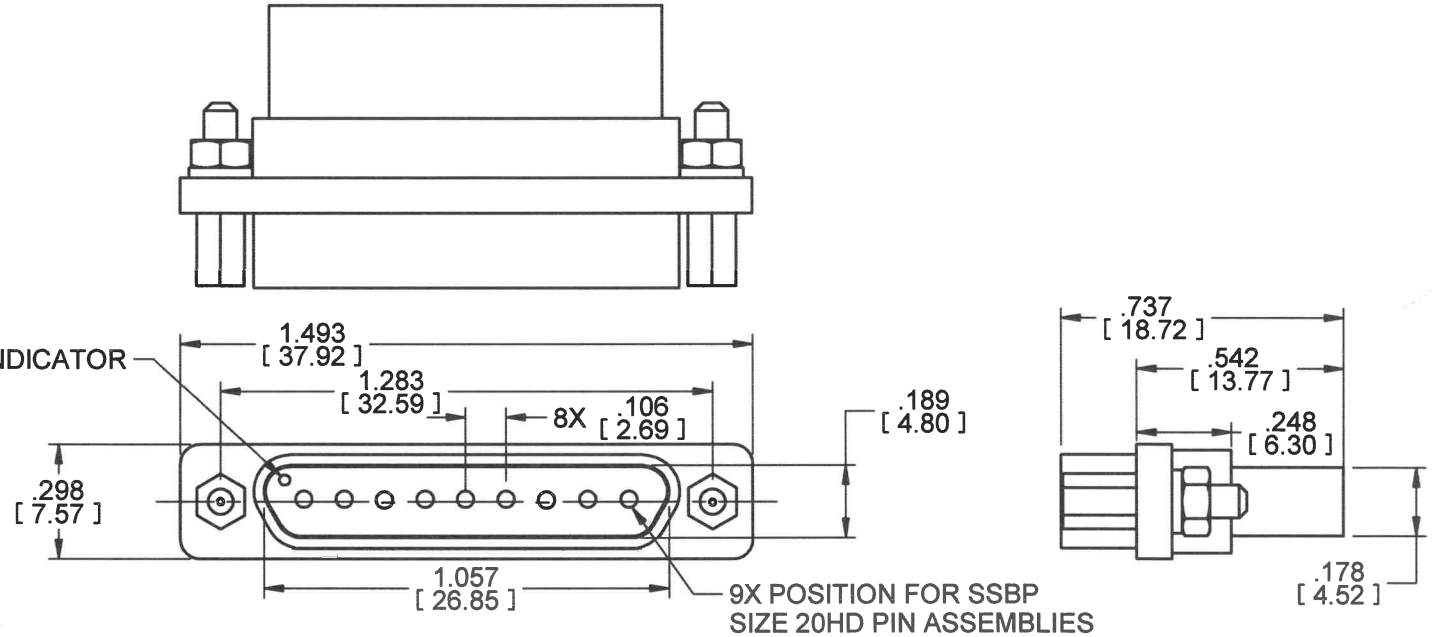
3.1.4 POTTING COMPOUND:
- VARY FLEX TYPE HV

3.1.5 JACK POSTS, WASHERS, AND NUTS:
- STAINLESS STEEL

3.2 FINISHES

3.2.1 HOUSING:
- ELECTROLESS NICKEL PLATE
PER MIL-C-26074


3.2.2 RETAINER CLIP:
- GOLD PLATE PER MIL-DTL-45204



2. CONNECTOR DESIGN IS COMPATIBLE WITH CURRENT MATERIAL AND PROCESS REQUIREMENTS FOR RoHS AND WEEE PER EUROPEAN COMMUNITY DIRECTIVE 2002/95/EC.

1. ALL DIMENSIONS ARE IN INCHES. ALL ANGLES ARE IN DEGREES. DIMENSIONS SHOWN IN BRACKETS [XXX] ARE IN MILLIMETERS.

NOTES: UNLESS OTHERWISE SPECIFIED.


ECN PROD. REL.	APRVD:	DATE:	APRVD: <i>A. Clayton</i>	DATE: <i>4/25/14</i>	TITLE SHELL, RECEPTACLE, 9 POSITION SSBP SIZE 20HD, LONG INSULATOR MICRO-D			
 Southwest Microwave, Inc. 9055 South McKemy Street Tempe, Arizona 85284-2946 Telephone (480) 783-0201 Fax (480) 783-0360					DRN BY: D.HAKE	DATE: 04/25/14	MODEL NO. 17500-4010P	REV. A
					SHEET: 1 OF 1		DWG. NO. 79BP61526	

MODEL No.:

17500-4010P

NOTE: Information herein is believed by Southwest Microwave, Inc. to be accurate. However, Southwest Microwave assumes no responsibility for any omissions or errors or inaccuracies for its use or for any infringements of patents or other rights of third parties that may result from its use. Data is intended for informational purpose only and does not constitute a contract of sale or any express or implied warranty, including any warranty of merchant ability or fitness for a particular purpose.

REV.	ECN	CHANGE DESCRIPTION	REV BY	DATE	APPR.
X0		PROTOTYPE RELEASE		11/29/11	B.C.
X1	N/A	1. REDRAWN IN HORIZONTAL FORMAT.	DRH	4/25/14	B.C.
A		PRODUCTION RELEASE		4/25/14	B.C.

ECN	APRVD:	DATE:	APRVD:	DATE:	TITLE	DRN BY:	DATE:	MODEL NO.	REV.
PROD. REL.					SHELL, RECEPTACLE, 9 POSITION SSBP SIZE 20HD, LONG INSULATOR MICRO-D	D.HAKE	04/25/14	17500-4010P	A
 Southwest Microwave, Inc. 9055 South McKemy Street Tempe, Arizona 85284-2946 Telephone (480) 783-0201 Fax (480) 783-0360						SHEET: 1 OF 1	DWG. NO.		