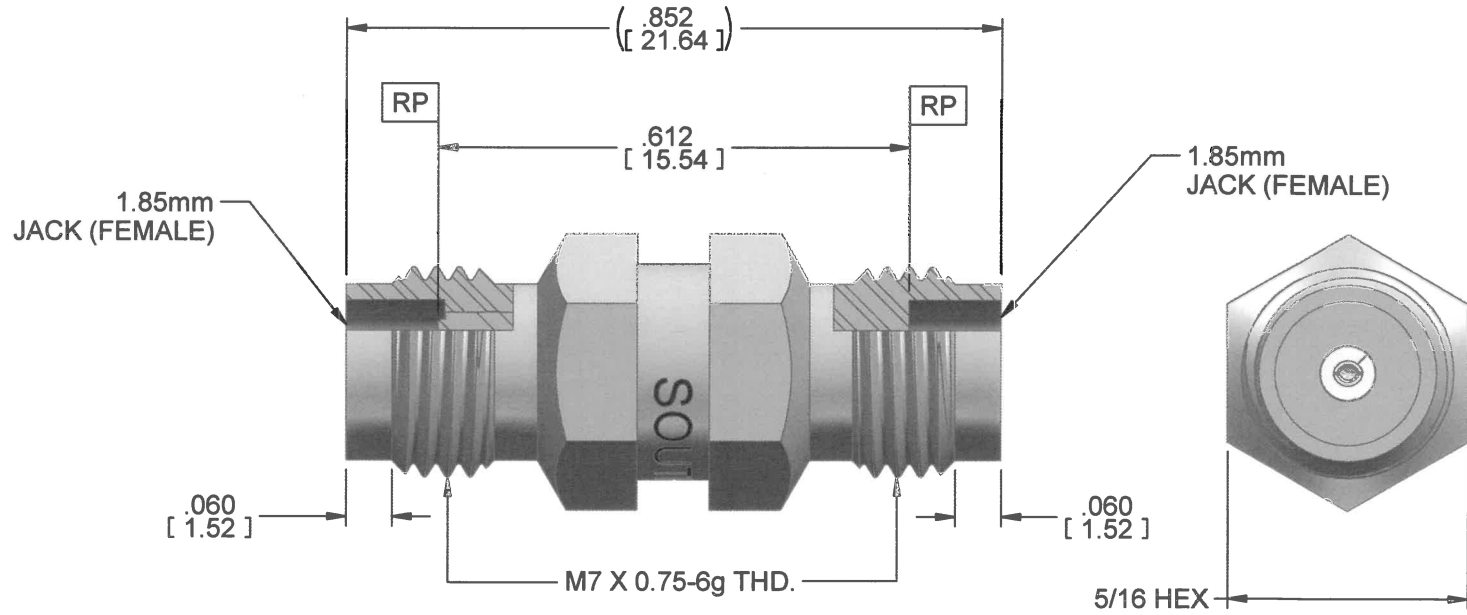


DWG No.:

79R59725

NOTE: Information herein is believed by Southwest Microwave, Inc. to be accurate. However, Southwest Microwave assumes no responsibility for any omissions or errors or inaccuracies for its use or for any infringements of patents or other rights of third parties that may result from its use. Data is intended for informational purpose only and does not constitute a contract of sale or any express or implied warranty, including any warranty of merchant ability or fitness for a particular purpose.




| | |
|---------------|--|
| HOUSING: | STEEL, CRES ALLOY UNS S30300 PER ASTM A582 PASSIVATED PER ASTM A967-99 |
| CONTACT: | BeCu UNS C17300 PER ASTM B196 GOLD PLATE PER MIL-DTL-45204 |
| BEAD: | VIRGIN PTFE FLUOROCARBON PER ASTM D1710, TYPE 1 GRADE 1, CLASS B |
| CAPTURE BEAD: | ULTEM 1000 PER ASTM D5205 |
| ITEM | MATERIAL & FINISH |

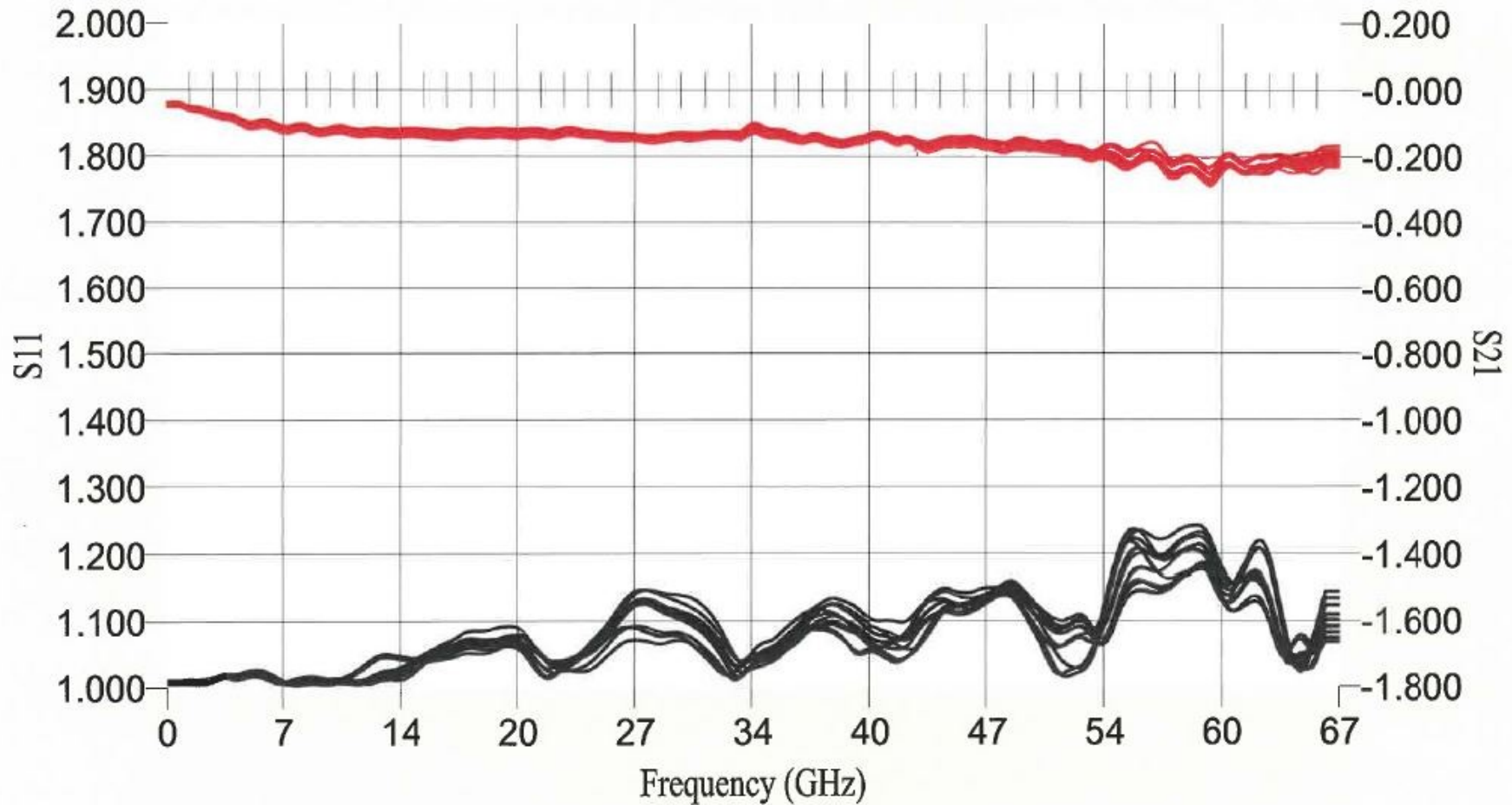
2. SEE 91R60815 FOR PRODUCT SPECIFICATIONS.

1. ALL DIMENSIONS ARE IN INCHES. ALL ANGLES ARE IN DEGREES.
DIMENSIONS SHOWN IN BRACKETS [XXX] ARE IN MILLIMETERS.

NOTES: UNLESS OTHERWISE SPECIFIED.

| | | | | | | | |
|--|----------------------|-----------------------|-------------------|----------------|---|----------|------|
| REV B | REVISED PER ECN 9097 | APPROV. <i>PLC</i> | DATE: 12/12/12 | TITLE | 1832-00SF 1.85mm Jack (Female) to Jack (Female) Adapter | | |
|  Southwest Microwave, Inc. 9055 South McKemy Street Tempe, Arizona 85284-2946 Telephone (480) 783-0201 Fax (480) 783-0360 | | | | DRN BY: EJO | DATE: 5/07 | DWG. NO. | REV. |
| | | | | SHEET: 1 OF 1 | | 79R59725 | B |

Southwest Microwave, Inc.



Operator Jeff Date 06-23-2020 @ 14:29:20 Model number: 1832-00SF QCIR:116062-000; Serial number 9

File name 9.dat Measurements,1,2,3,4,5,6,7,8,9,10

Notes 1.85 J to 1.85 J ADP SOLT



**SOUTHWEST
MICROWAVE**

(480) 783-0201