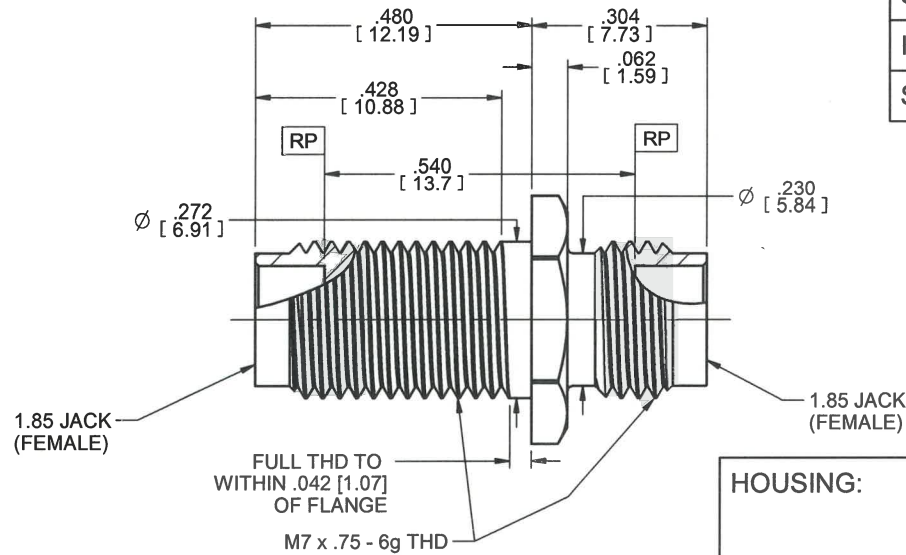
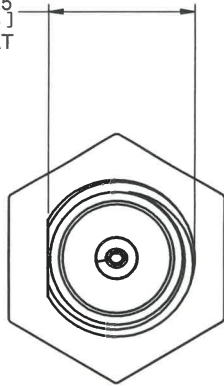


MODEL No.:

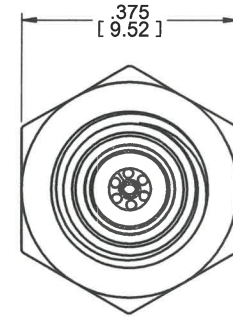
1832-02SF

NOTE: Information herein is believed by Southwest Microwave, Inc. to be accurate. However, Southwest Microwave assumes no responsibility for any omissions or errors or inaccuracies for its use or for any infringements of patents or other rights of third parties that may result from its use. Data is intended for informational purpose only and does not constitute a contract of sale or any express or implied warranty, including any warranty of merchant ability or fitness for a particular purpose.

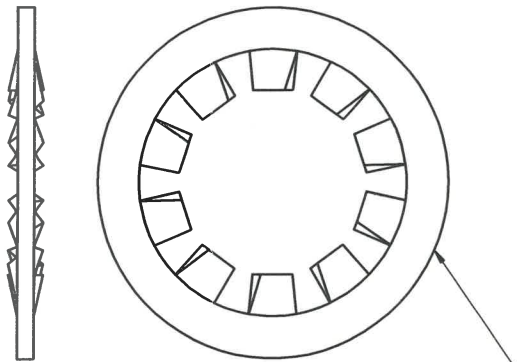
.2545 ± .0025
[6.46 ± 0.06]
"D" FLAT



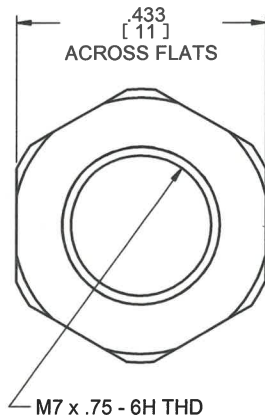
SPECIFICATIONS	91R60815
INTERFACE	91R58312
SPECIFICATION GROUP	DRAWING NO.



HOUSING:	STEEL, CRES ALLOY UNS-30300 PER ASTM A582 PASSIVATED PER ASTM A967-99
CONTACT:	BeCu UNS-C17300 PER ASTM B196/197 GOLD PLATE PER MIL-DTL-45204
DIELECTRIC:	VIRGIN PTFE FLUOROCARBON PER ASTM D1710, TYPE 1 GRADE 1, CLASS B
CAPTURE BEAD:	ULTEM 1000 PER ASTM D5205
LOCKWASHER:	STEEL CRES ALLOY: UNS-S30300 OR UNS-S30400 OR STEEL ALLOY UNS-S41000
NUT:	STEEL CRES ALLOY UNS-S30300 PER ASTM A582
ITEM	MATERIAL & FINISH




5/16 INTERNAL TOOTH LOCKWASHER
IAW ASME B18.21.1

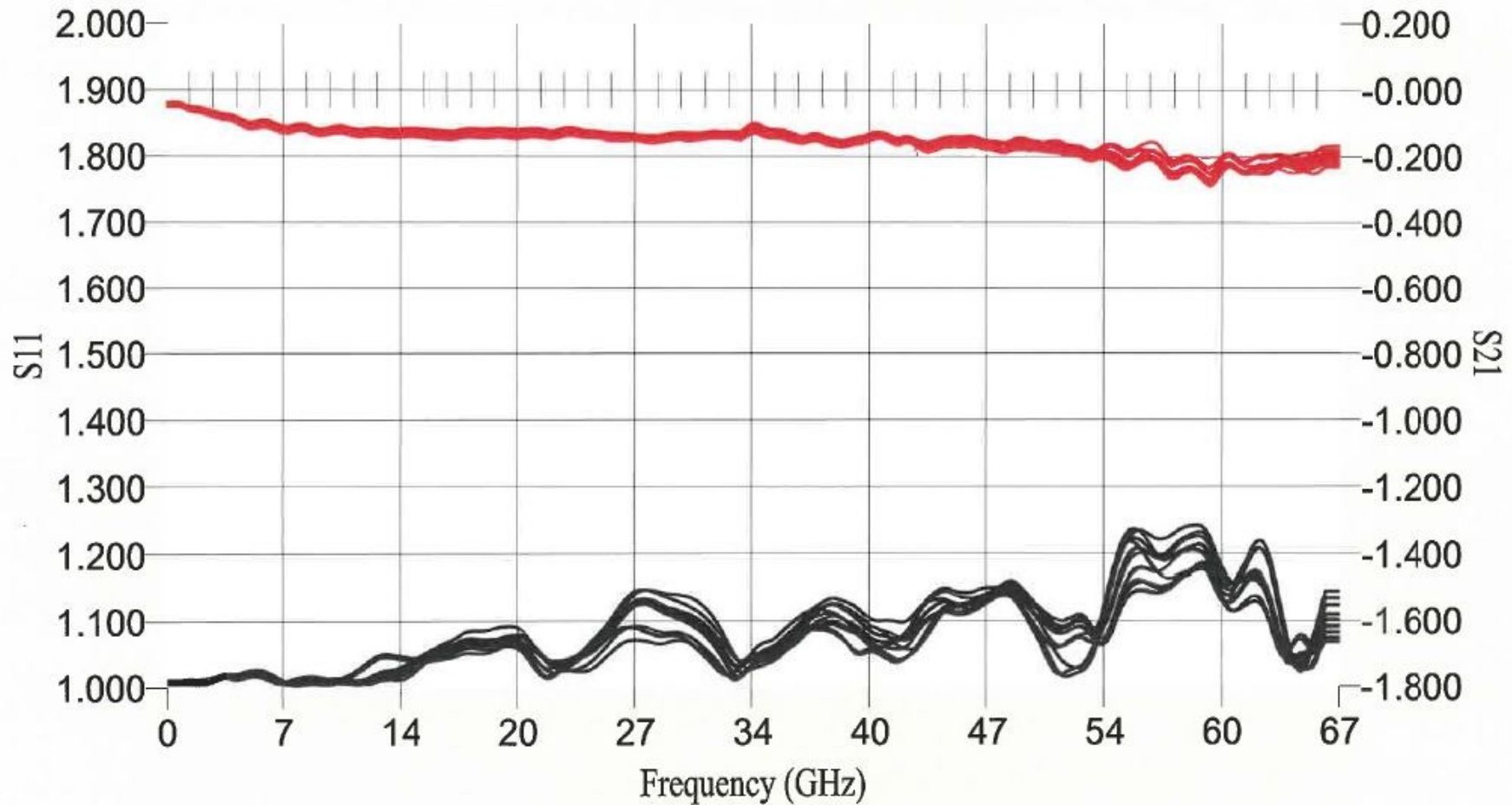


1. ALL DIMENSIONS ARE IN INCHES. ALL ANGLES ARE IN DEGREES. DIMENSIONS SHOWN IN BRACKETS [XXX] ARE IN MILLIMETERS.

NOTES: UNLESS OTHERWISE SPECIFIED.

REV X0	RELEASE	APRVD. JW	DATE: 12/08/17	TITLE 1832-02SF 1.85 J TO J BLKHD ADP	
 Southwest Microwave, Inc. 9055 South McKemy Street Tempe, Arizona 85284-2946 Telephone (480) 783-0201 Fax (480) 783-0360				DRN BY: JW	DATE: 12/08/17
				SCALE: 3:1	DWG. NO. 79R63793
				SHEET: 1 OF 1	REV. X0

Southwest Microwave, Inc.



Operator Jeff Date 06-23-2020 @ 14:29:20 Model number: 1832-00SF QCIR:116062-000; Serial number 9

File name 9.dat Measurements,1,2,3,4,5,6,7,8,9,10

Notes 1.85 J to 1.85 J ADP SOLT



**SOUTHWEST
MICROWAVE**

(480) 783-0201