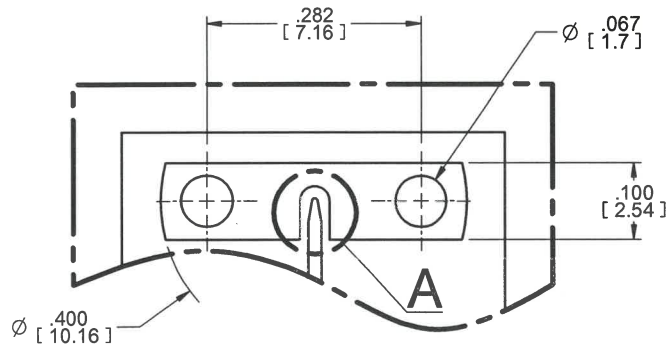


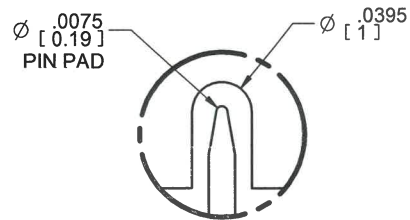
MODEL No.:

18359-001J

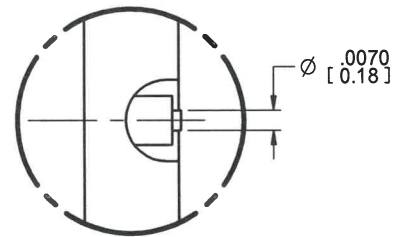
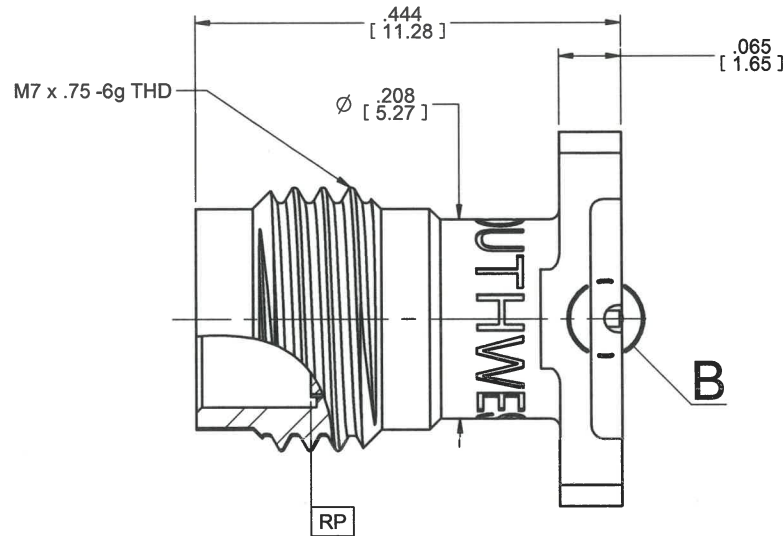
NOTE: Information herein is believed by Southwest Microwave, Inc. to be accurate. However, Southwest Microwave assumes no responsibility for any omissions or errors or inaccuracies for its use or for any infringements of patents or other rights of third parties that may result from its use. Data is intended for informational purpose only and does not constitute a contract of sale or any express or implied warranty, including any warranty of merchant ability or fitness for a particular purpose.



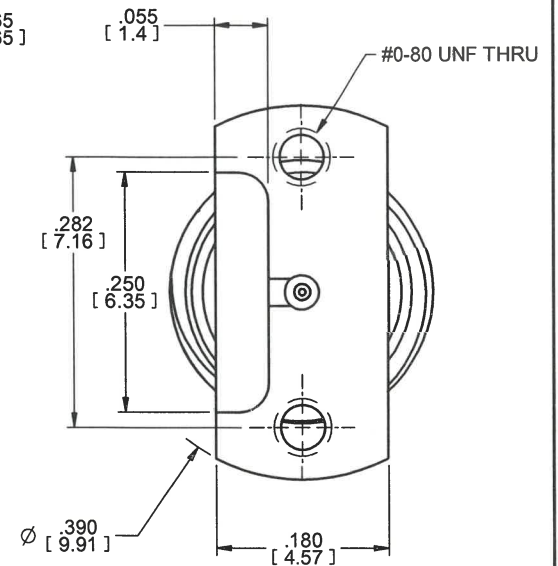
PCB MOUNTING DETAIL



DETAIL A



DETAIL B




DOCUMENT CONTROL
NOV 30 2018

HOUSING:	STEEL, CRES ALLOY UNS-30300 PER ASTM A582 PASSIVATED PER ASTM A967-99
CONTACT:	BeCu UNS-C17300 PER ASTM B196/197 GOLD PLATE PER MIL-DTL-45204
CAPTURE BEAD:	ULTEM 1000 PER ASTM D5205
ITEM	MATERIAL & FINISH

SPECIFICATIONS	91R68773
INTERFACE	91R58312
SPECIFICATION GROUP	DRAWING NO.

1. ALL DIMENSIONS ARE IN INCHES. ALL ANGLES ARE IN DEGREES. DIMENSIONS SHOWN IN BRACKETS [XXX] ARE IN MILLIMETERS.

NOTES: UNLESS OTHERWISE SPECIFIED.

REV X2	PROTOTYPE RELEASE	APRVD. DE	DATE: 11/30/18	TITLE	18359-001J 1.85 J 2H VRT LAUNCH	
 Southwest Microwave, Inc. 9055 South McKemy Street Tempe, Arizona 85284-2946 Telephone (480) 783-0201 Fax (480) 783-0360				DRN BY: JW	DATE: 01/23/18	DWG. NO. 79R68422
				SCALE: 5:1		
				SHEET: 1 OF 1		