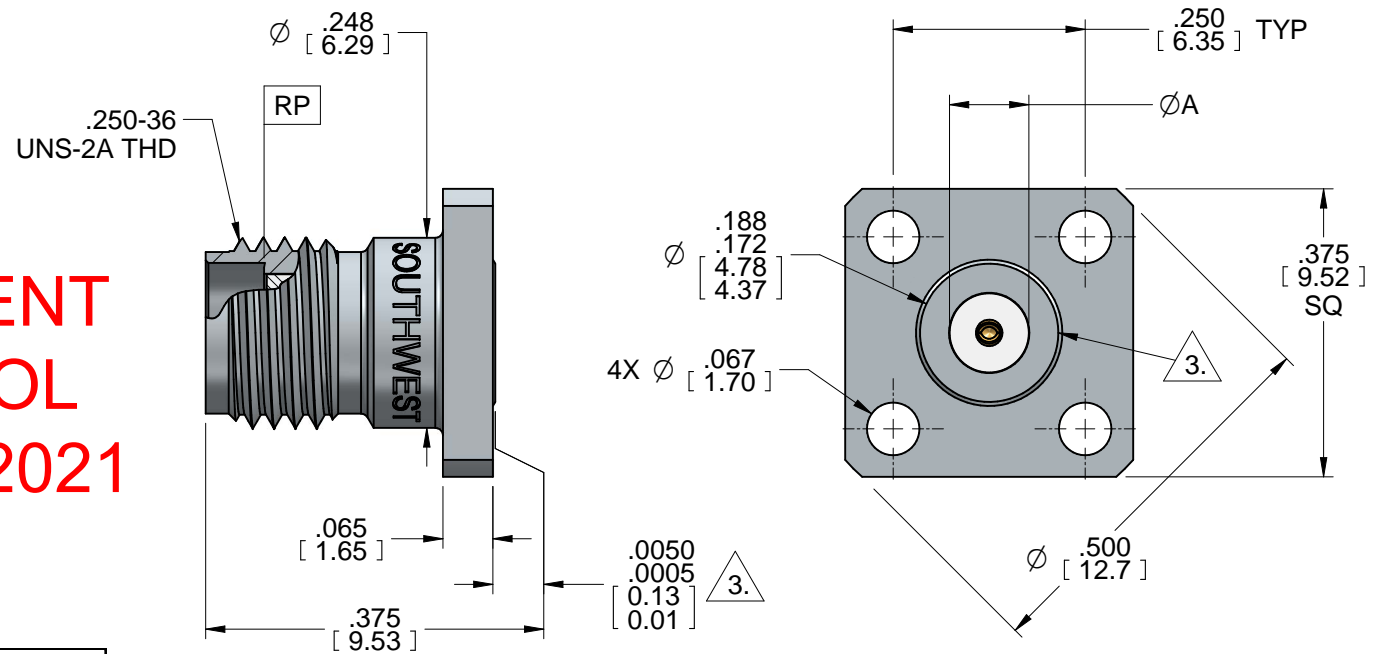


DWG No.:

91B60793

NOTE: Information herein is believed by Southwest Microwave, Inc. to be accurate. However, Southwest Microwave assumes no responsibility for any omissions or errors or inaccuracies for its use or for any infringements of patents or other rights of third parties that may result from its use. Data is intended for informational purpose only and does not constitute a contract of sale or any express or implied warranty, including any warranty of merchant ability or fitness for a particular purpose.

**DOCUMENT
CONTROL
JUN 21 2021**



HOUSING:	STEEL, CRES ALLOY UNS-S30300 PER ASTM A582 PASSIVATED PER ASTM A967
CONTACT:	BeCu UNS-C17300 PER ASTM B196 GOLD PLATE PER ASTM B488
DIELECTRIC:	VIRGIN PTFE FLUOROCARBON PER ASTM D1710, TYPE 1, GRADE 1, CLASS B
CAPTURE BEAD:	ULTEM 1000 PER ASTM D5205
ITEM	MATERIAL & FINISH

Model	Pin Size	Max. Pin Depth	Ø A
212-513SF	.036	.100	.1540
212-512SF	.020	.100	.1045
212-507SF	.018	.100	.1020
212-511SF	.015	.100	.0765
212-510SF	.012	.075	.0765
212-532SF	.009	.065	.0602

3. 360° RAISED METAL GROUNDING RING.

- SEE DOCUMENT NO. 91B60792 FOR PRODUCT SPECIFICATIONS.
- ALL DIMENSIONS ARE IN INCHES. ALL ANGLES ARE IN DEGREES. DIMENSIONS SHOWN IN BRACKETS [XXX] ARE IN MILLIMETERS.

NOTES: UNLESS OTHERWISE SPECIFIED.

REV B	ECN: 677	INIT: JAC	DATE: 06/18/21	APRVD: DE	DATE: 06/21/21
-------	----------	-----------	----------------	-----------	----------------



Southwest Microwave, Inc.
9055 South McKemy Street
Tempe, Arizona 85284-2946
Telephone (480) 783-0201
Fax (480) 783-0360

TITLE
**SMA Jack (Female)
.375" Square Flange**

DRN BY: EAG	DATE: 3/27/12	DWG. NO. 91B60793	REV. B
SHEET: 1 OF 1			