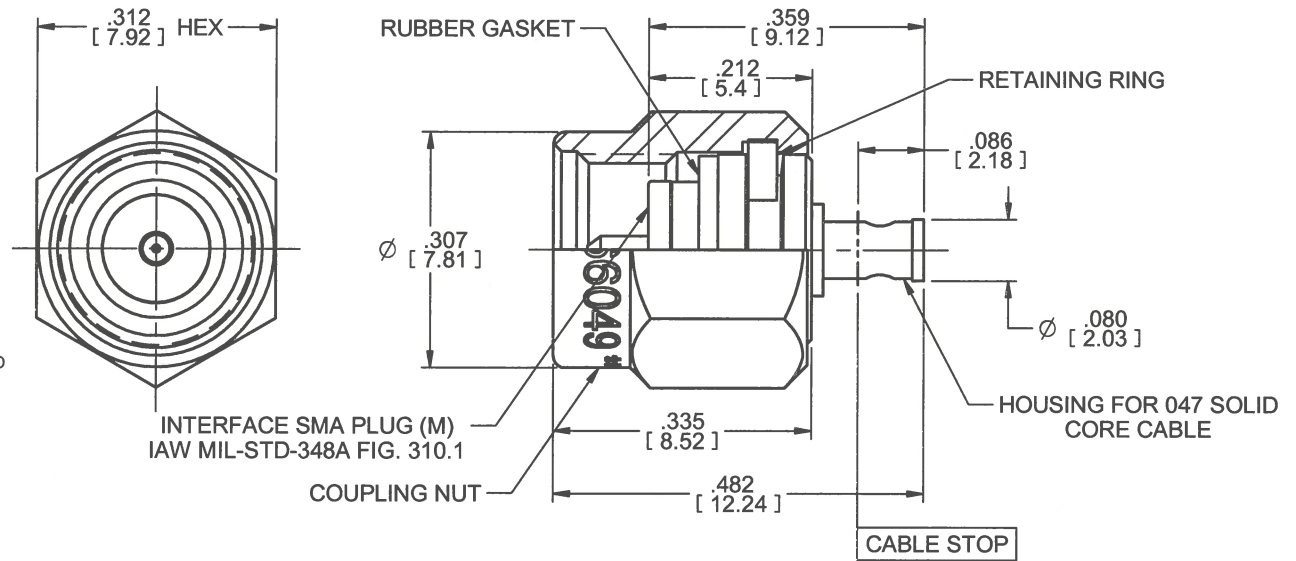


MODEL No.: **2270-01G**

NOTE: Information herein is believed by Southwest Microwave, Inc. to be accurate. However, Southwest Microwave assumes no responsibility for any omissions or errors or inaccuracies for its use or for any infringements of patents or other rights of third parties that may result from its use. Data is intended for informational purpose only and does not constitute a contract of sale or any express or implied warranty, including any warranty of merchant ability or fitness for a particular purpose.



- 6. PERFORMANCE IS DEPENDENT UPON THE SPECIFIC CABLE SELECTED AND THIRD-PARTY CABLE PREPARATION BEYOND THE CONTROL OF SOUTHWEST MICROWAVE.
- 5. FOR SPECIFICATIONS SEE SPECIFICATION 91BV61132.
- 4. CABLE TERMINATION INSTRUCTIONS SPEC. 91S61015.
- 3. MATERIAL AND FINISH:

3.1 MATERIALS

- 3.1.1 CENTER CONDUCTOR AND RETAINING RING:
BeCu ALLOY
- 3.1.2 HOUSING AND BUSHING:
BRASS ALLOY
- 3.1.3 DIELECTRIC INSULATOR:
HIGH TEMPERATURE POLYMER
- 3.1.4 BEAD RING:
ULTEM 1000 PER ASTM D5205.
- 3.1.5 COUPLING NUT:
STAINLESS STEEL
- 3.1.6 GASKET:
SILICON RUBBER

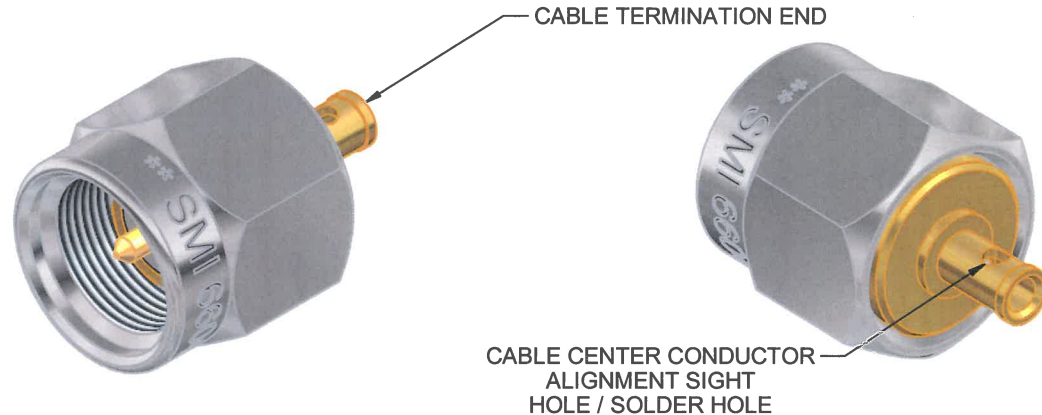
3.2 FINISHES


- 3.2.1 CENTER CONDUCTOR, HOUSING AND BUSHING:
GOLD PLATE PER MIL-DTL-45204
- 3.2.3 COUPLING NUT:
PASSIVATE

2. CONNECTOR DESIGN IS COMPATIBLE WITH CURRENT MATERIAL AND PROCESS REQUIREMENTS FOR RoHS AND WEEE PER EUROPEAN COMMUNITY DIRECTIVE 2002/95/EC.

1. ALL DIMENSIONS ARE IN INCHES. ALL ANGLES ARE IN DEGREES. DIMENSIONS SHOWN IN BRACKETS [XXX] ARE IN MILLIMETERS.

NOTES: UNLESS OTHERWISE SPECIFIED.



REV: A	RELEASE	DATE: 04/10/2014	APPVD: <i>B. Clary</i>	DATE: 8/8/14	TITLE SMA PLUG (M) DIRECT SOLDER CABLE CONNECTOR FOR 047 SC CABLE				
 SOUTHWEST MICROWAVE			Southwest Microwave, Inc. 9055 South McKemy Street Tempe, Arizona 85284-2946 Telephone (480) 783-0201 Fax (480) 783-0360			DRN BY: T. CLARE	DATE: 04/10/2014	MODEL NO. 2270-01G	REV. A
						SCALE: 4:1		SHEET: 1 OF 1	DWG. NO. 79BV61471