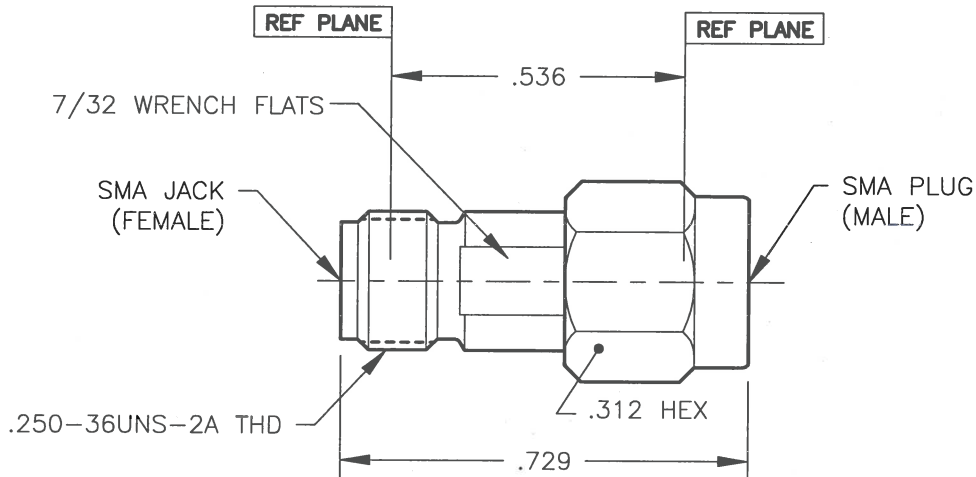


NOTE: Information herein is believed by Southwest Microwave, Inc. to be accurate. However, Southwest Microwave assumes no responsibility for any omissions or errors or inaccuracies for its use or for any infringements of patents or other rights of third parties that may result from its use. Data is intended for informational purpose only and does not constitute a contract of sale or any express or implied warranty, including any warranty of merchant ability or fitness for a particular purpose.




| | |
|------------------------------|--|
| HOUSING: COUPLING NUT: | STEEL, CRES ALLOY UNS-S30300 PER ASTM-A582. PASSIVATE PER QQ-P-35. |
| CONTACT: | BeCu UNS-C17300 PER ASTM-B-196/197 GOLD PLATE PER MIL-G-45204 |
| DIELECTRIC INSULATOR: | VIRGIN TFE FLUOROCARBON PER ASTM-D-1710 AND ASTM-D-1457 |
| BEAD RING: | ULTEM 1000 PER ASTM-D-5205 |
| RETAINING RING: | BeCu UNS-C17300 PER ASTM-B-196/197 |
| GASKET: | SILICONE RUBBER PER ZZ-R-765 |
| MATERIAL & FINISH | |

| | |
|----------------------------|--------------------|
| CONTACT GAGING SPEC. | 91B52100 |
| SPECIFICATIONS | 91B54906 |
| INTERFACE PLUG | 91B52002 |
| INTERFACE JACK | 91B52003 |
| SPECIFICATION GROUP | DRAWING NO. |

2. INTERFACE IN ACCORDANCE WITH MIL-STD-348.

1. ALL DIMENSIONS ARE IN INCHES,
ALL ANGLES ARE IN DEGREES.

NOTES: UNLESS OTHERWISE SPECIFIED

| | | | | | |
|---|---------|-----------------|----------------------------|-----------------|--|
| REV A | RELEASE | DATE: 7/2/04 | APPRD. <i>B. Clyatt</i> | DATE: 7/2/04 | TITLE MODEL 230-506SF EXT PWR SMA JACK TO PLUG ADAPTER |
|  Southwest Microwave, Inc. 9055 South McKerny Street Tempe, Arizona 85284-2946 Telephone (480) 783-0201 Fax (480) 783-0360 | | | | | DRN BY: EJO DATE: 4/04 SCALE: 3:1 SHEET: 1 OF 1 |
| | | | | | DWG. NO. 79B58261 |
| | | | | | REV. A |

O.L.-A-303 REV B