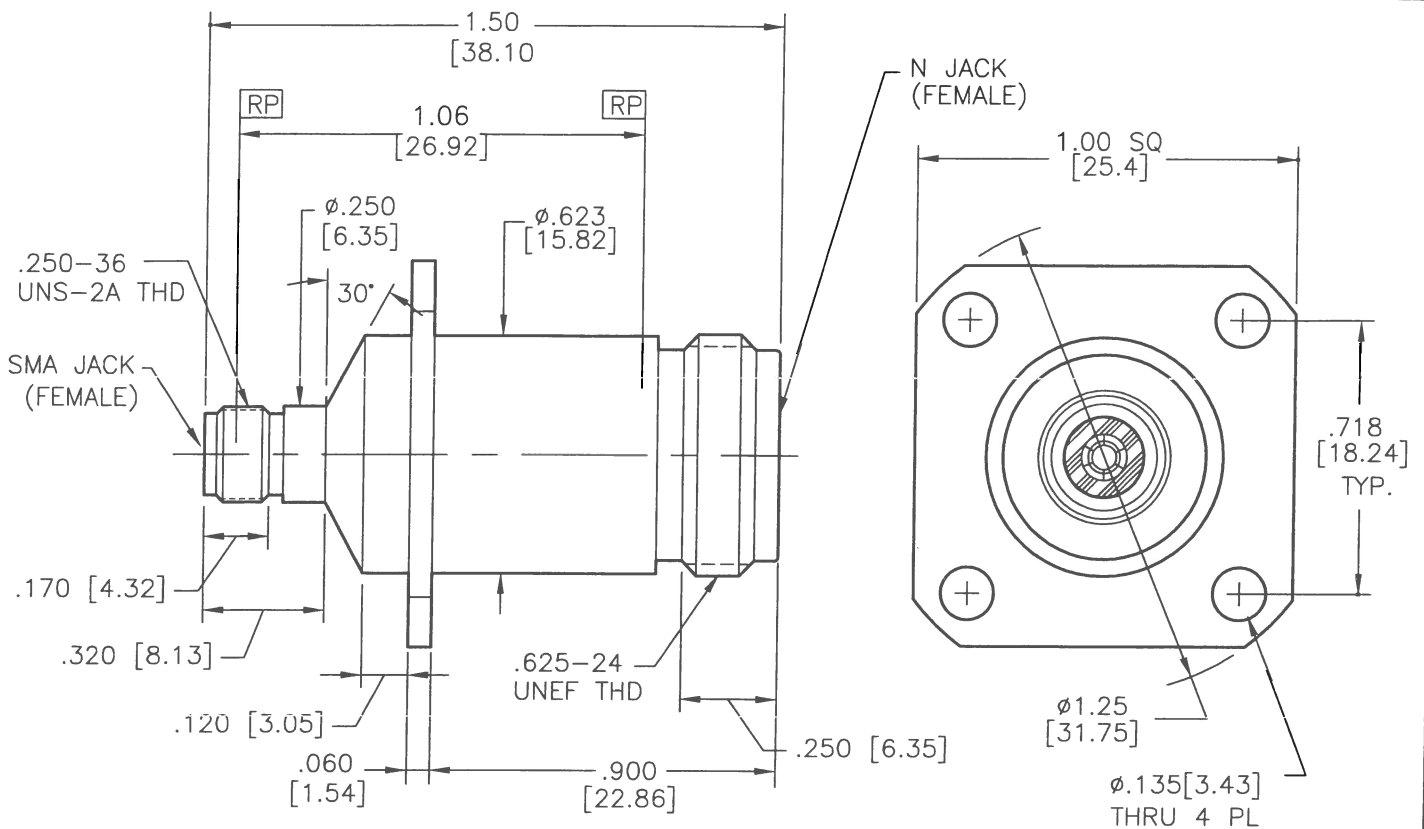


NOTE: Information herein is believed by Southwest Microwave, Inc. to be accurate. However, Southwest Microwave assumes no responsibility for any omissions or errors or inaccuracies for its use or for any infringements of patents or other rights of third parties that may result from its use. Data is intended for informational purpose only and does not constitute a contract of sale or any express or implied warranty, including any warranty of merchant ability or fitness for a particular purpose.



HOUSING:	STEEL, CRES ALLOY UNS-S30300 PER ASTM A582. PASSIVATE PER ASTM A967
CONTACT:	BeCu UNS-C17300 PER ASTM-B-196/197 GOLD PLATE PER MIL-DTL-45204
DIELECTRIC:	VIRGIN TFE FLUOROCARBON PER ASTM D1710 AND ASTM D1457
BEAD RING:	ULTEM 1000 PER ASTM D5205
ITEM	MATERIAL & FINISH

1. ALL DIMENSIONS ARE IN INCHES, ALL ANGLES ARE IN DEGREES. DIMENSIONS SHOWN IN BRACKETS [XXX] ARE MILLIMETERS.

NOTES: UNLESS OTHERWISE SPECIFIED

CONTACT GAGING SPEC.	91B52114
CONTACT GAGING SPEC.	91C54030
SPECIFICATIONS	91Y54479
SPECIFICATION GROUP	DRAWING NO.

REV B	ECN: 8864	INIT: EJO	DATE: 4/12/10	APRVD: GR	DATE: 4/13/10
-------	-----------	-----------	---------------	-----------	---------------

TITLE  
SMA JACK TO N JACK 4 HOLE 1.0SQ FLG BULKHEAD ADAPTER



**Southwest Microwave, Inc.**  
9055 South McKerny Street  
Tempe, Arizona 85284-2946  
Telephone (480) 783-0201  
Fax (480) 783-0360

DRN BY: SS	DATE: 9/06	MODEL NO. 2312SF	REV. B
SCALE: 3:1		DWG. NO. 79Y59116	
SHEET: 1 OF 1			

O.L.-A-303 REV D