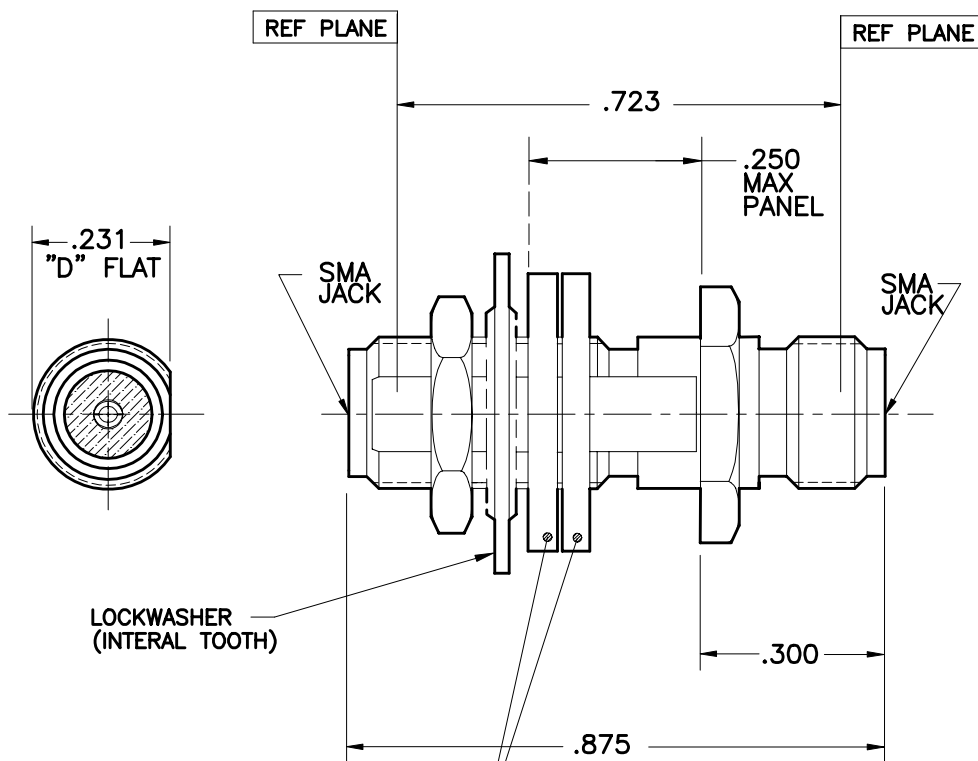


CONFIDENTIAL
 PROPRIETARY INFORMATION OF
 SOUTHWEST MICROWAVE, INC.
 THIS DOCUMENT SHALL NOT BE
 REPRODUCED IN ANY MANNER

NOTE: Information herein is believed by Southwest Microwave, Inc. to be accurate. However, Southwest Microwave assumes no responsibility for any omissions or errors or inaccuracies for its use or for any infringements of patents or other rights of third parties that may result from its use. Data is intended for informational purpose only and does not constitute a contract of sale or any express or implied warranty, including any warranty of merchant ability or fitness for a particular purpose.



TWO(2) FLAT WASHERS, .062 WIDE
 FOR PANELS .063-.140 THK, USE TWO(2) FLAT WASHERS
 FOR PANELS .140-.215 THK, USE ONE(1) FLAT WASHER
 FOR PANELS .215-.250 THK, USE ZERO(0) FLAT WASHERS


HOUSING:	STEEL, CRES ALLOY UNS-S30300 PER ASTM-A582. PASSIVATE PER QQ-P-35.
CONTACT:	BeCu UNS-C17300 PER ASTM-B-196/197 GOLD PLATE PER MIL-G-45204
DIELECTRIC INSULATOR:	VIRGIN TFE FLUOROCARBON PER ASTM-D-1710 AND ASTM-D-1457
BEAD RING:	ULTEM 1000 PER ASTM-D-5205
MATERIAL & FINISH	

CONTACT GAGING SPEC.	91B52100
SPECIFICATIONS	91B54908
INTERFACE	91B52003
SPECIFICATION GROUP	DRAWING NO.

2. INTERFACE IN ACCORDANCE WITH MIL-STD-348.

1. ALL DIMENSIONS ARE IN INCHES, ALL ANGLES ARE IN DEGREES.

NOTES: UNLESS OTHERWISE SPECIFIED

REV A	RELEASE	DATE: 4/12/04	APRVD. R.BOAK	DATE: 4/12/04	TITLE MODEL 232-510SF EXT PWR SMA JACK TO JACK BULKHEAD ADAPTER			
 Southwest Microwave, Inc. 9055 South McKemy Street Tempe, Arizona 85284-2946 Telephone (480) 783-0201 Fax (480) 783-0360					DRN BY: EJO	DATE: 4/04	DWG. NO.	REV. A
					SCALE: 3:1		79B58267	
					SHEET: 1 OF 1			

O.L.-A--303 REV B