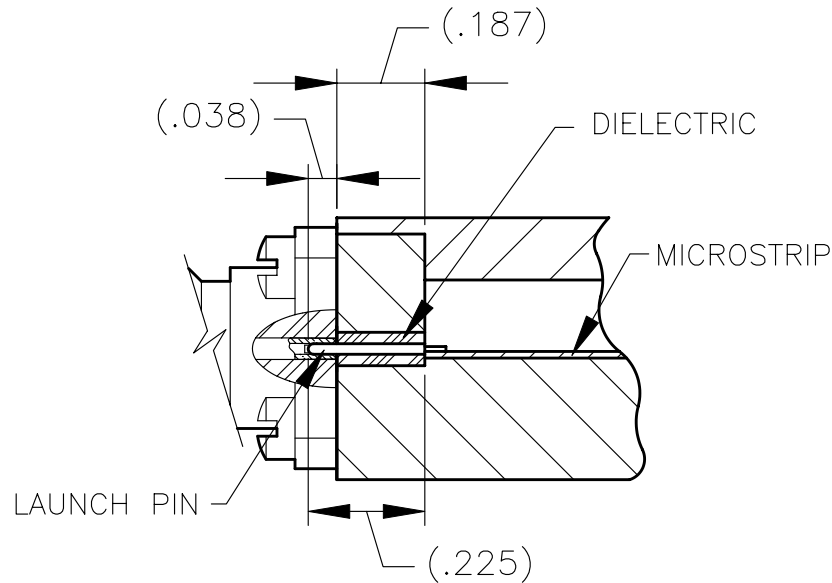
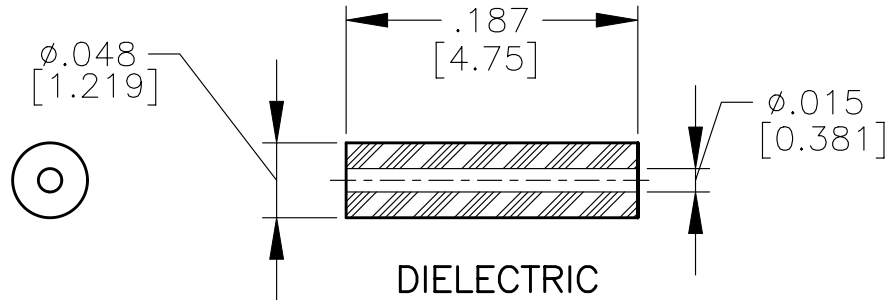


NOTE: Information herein is believed by Southwest Microwave, Inc. to be accurate. However, Southwest Microwave assumes no responsibility for any omissions or errors or inaccuracies for its use or for any infringements of patents or other rights of third parties that may result from its use. Data is intended for informational purpose only and does not constitute a contract of sale or any express or implied warranty, including any warranty of merchant ability or fitness for a particular purpose.



APPLICATION REFERENCE  
N.T.S.


1. ALL DIMENSIONS ARE IN INCHES, ALL ANGLES ARE IN DEGREES. DIMENSIONS SHOWN IN BRACKETS [XXX] ARE MILLIMETERS.

NOTES: UNLESS OTHERWISE SPECIFIED

DIELECTRIC INSULATOR:

VIRGIN TFE FLUOROCARBON PER ASTM-D-1710 AND ASTM-D-1457

**MATERIAL & FINISH**

|   |         |                 |                  |                 |   |
|---|---------|-----------------|------------------|-----------------|---|
| REV<br>A  | RELEASE | DATE:<br>8/4/05 | APRVD.<br>R.BOAK | DATE:<br>8/4/05 | TITLE<br><b>MODEL 290-11D</b><br>50 Ohm DIELECTRIC ACCESSORY<br>FOR (.015) DIA PIN TRANSITION |
|  <b>Southwest Microwave, Inc.</b><br>9055 South McKemy Street<br>Tempe, Arizona 85284-2946<br>Telephone (480) 783-0201<br>Fax (480) 783-0360 |         |                 |                  |                 | DRN BY:<br>EJO  |
|   |         |                 |                  |                 | DATE:<br>8/05   |
|   |         |                 |                  |                 | DWG. NO.<br><b>79B54150</b>   |
|   |         |                 |                  |                 | REV.<br>A   |
|   |         |                 |                  |                 | SCALE: 8:1  |
|   |         |                 |                  |                 | SHEET: 1 OF 1   |

O.L.-A-303