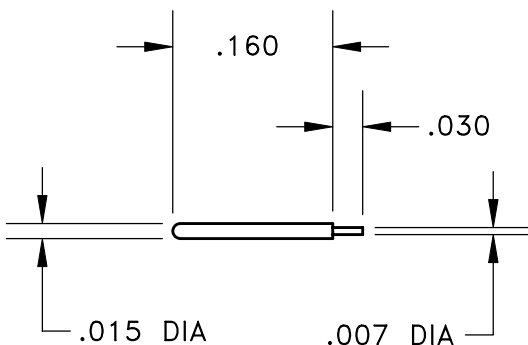
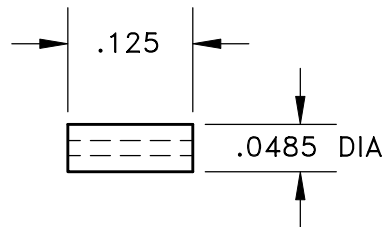


NOTE: Information herein is believed by Southwest Microwave, Inc. to be accurate. However, Southwest Microwave assumes no responsibility for any omissions or errors or inaccuracies for its use or for any infringements of patents or other rights of third parties that may result from its use. Data is intended for informational purpose only and does not constitute a contract of sale or any express or implied warranty, including any warranty of merchant ability or fitness for a particular purpose.

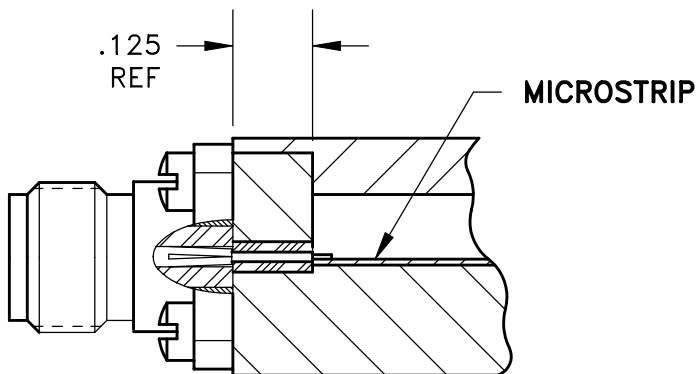


**LAUNCH PIN  
290-12P**



**DIELECTRIC  
290-12D**

### APPLICATION



**LAUNCH PIN:** BeCu  
UNS-C17300 PER ASTM-B-196/197.  
GOLD PLATE PER MIL-G-45204.

**DIEL:** VIRGIN TFE FLUOROCARBON PER  
ASTM-D-1710, TYPE 1, GRADE 1,  
CLASS B, AND ASTM-D-1457.

### MATERIAL & FINISH

### CATALOG CONNECTOR MODELS

211-01,-14,-22SF  
212-01,-08,-21SF  
213-01,-13,-26SF  
214-01,-13,-26SF

REV: A4    ECN: 6300    DATE: 6-30-95

DRAWN SLM    DATE 5-9-91    APRVD. JK    DATE 5/91

TITLE    290-12G  
LAUNCH PIN, .015 DIA X .160 LONG  
WITH .125 LONG DIELECTRIC



Southwest Microwave, Inc.  
9055 South McKerny Street  
Tempe, Arizona 85284-2946  
Telephone (480) 783-0201  
Fax (480) 783-0360

DATE  
5-9-91

DWG. NO.

79B51558

REV.

A5

SHEET  
1 OF 1