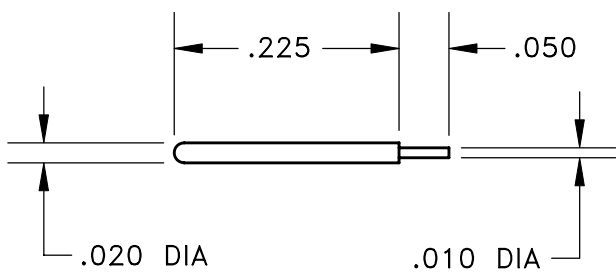
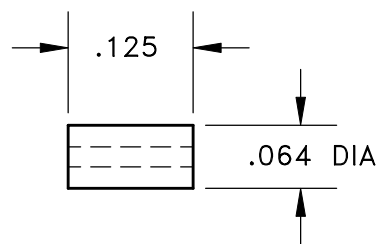


NOTE: Information herein is believed by Southwest Microwave, Inc. to be accurate. However, Southwest Microwave assumes no responsibility for any omissions or errors or inaccuracies for its use or for any infringements of patents or other rights of third parties that may result from its use. Data is intended for informational purpose only and does not constitute a contract of sale or any express or implied warranty, including any warranty of merchant ability or fitness for a particular purpose.

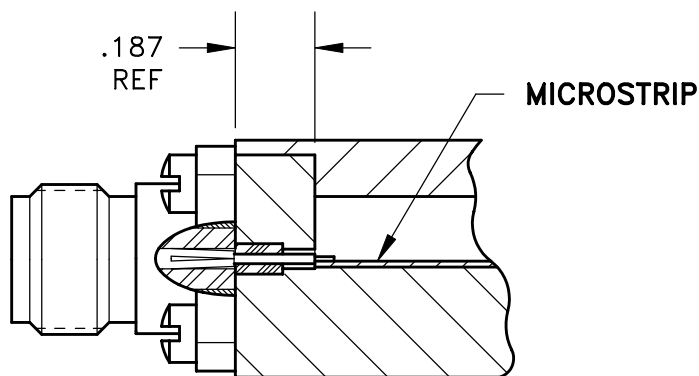


**LAUNCH PIN
290-13P**



**DIELECTRIC
290-14D**

APPLICATION



CATALOG CONNECTOR MODELS

- 211-03,-18,-26SF
- 212-03,-10,-25SF
- 213-03,-17,-30SF
- 214-03,-17,-30SF

LAUNCH PIN: BeCu COND. 1/2 H TO H ALLOY
UNS-C17300 PER ASTM-B-196/197.
GOLD PLATE PER MIL-G-45204.

DIEL: VIRGIN TFE FLUOROCARBON PER
ASTM-D-1710, TYPE 1, GRADE 1,
CLASS B, AND ASTM-D-1457.

MATERIAL & FINISH

REV: A3 ECN: 6300 DATE: 6-30-95

DRAWN DK DATE 3-23-95 APRVD. GH DATE 3-27-95

TITLE
290-13P-14D
LAUNCH PIN, .020 DIA X .225 LONG
WITH .125 LONG DIELECTRIC



Southwest Microwave, Inc.
9055 South McKerny Street
Tempe, Arizona 85284-2946
Telephone (480) 783-0201
Fax (480) 783-0360

DATE 3/95
SHEET 1 OF 1

DWG. NO.
79B53803

REV.
A4