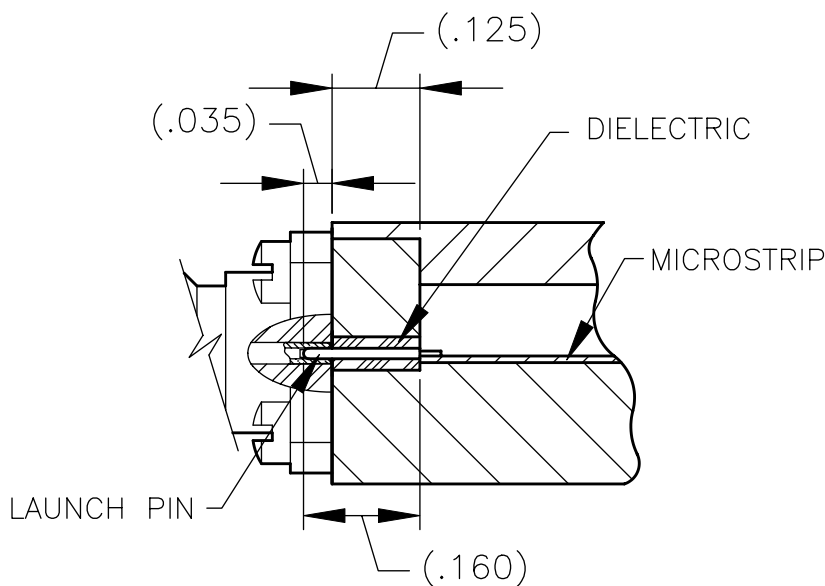
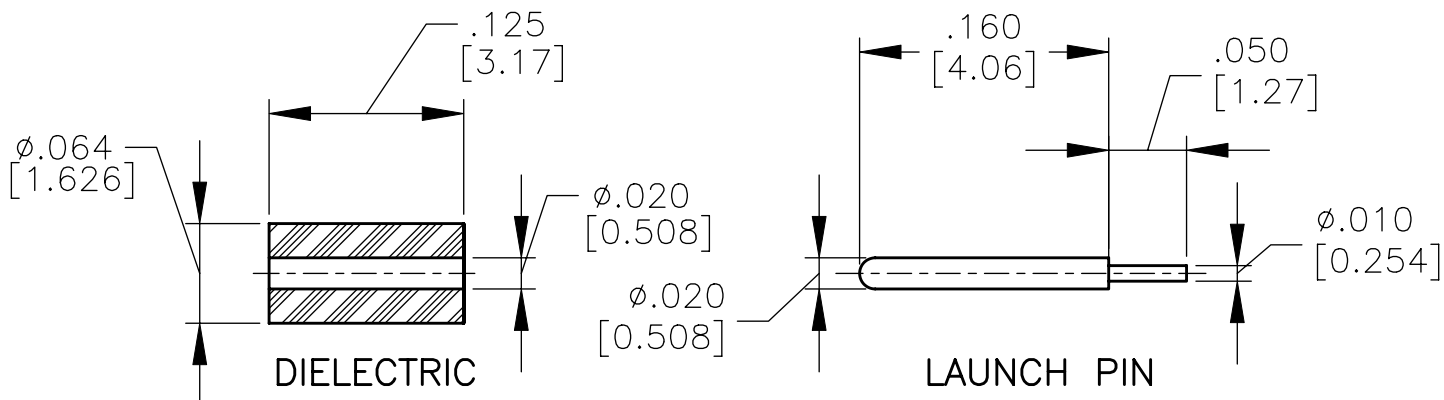


NOTE: Information herein is believed by Southwest Microwave, Inc. to be accurate. However, Southwest Microwave assumes no responsibility for any omissions or errors or inaccuracies for its use or for any infringements of patents or other rights of third parties that may result from its use. Data is intended for informational purpose only and does not constitute a contract of sale or any express or implied warranty, including any warranty of merchant ability or fitness for a particular purpose.



APPLICATION REFERENCE  
N.T.S.

1. ALL DIMENSIONS ARE IN INCHES, ALL ANGLES ARE IN DEGREES. DIMENSIONS SHOWN IN BRACKETS [XXX] ARE MILLIMETERS.

TOLERANCES ARE BASED UPON DIMENSIONS IN INCHES. METRIC DIMENSIONS ARE FOR "REFERENCE ONLY".

NOTES: UNLESS OTHERWISE SPECIFIED

LAUNCH PIN:	BeCu UNS-C17300 PER ASTM-B-196/197 GOLD PLATE PER MIL-G-45204
DIELECTRIC INSULATOR:	VIRGIN TFE FLUOROCARBON PER ASTM-D-1710 AND ASTM-D-1457
<b>ITEM</b>	<b>MATERIAL &amp; FINISH</b>

REV B6	ECN: 7907	INIT: EJO	DATE: 12/30/05	APRVD. R.BOAK	DATE: 12/30/05
-----------	--------------	--------------	-------------------	------------------	-------------------

TITLE 50 Ohm LAUNCH ACCESSORY FOR (.020) DIA PIN TRANSITION	
DRN BY: SLM	DATE: 5/91
SCALE: 8:1	MODEL NO. 290-14G
SHEET: 1 OF 1	DWG. NO. 79B51559
REV. B6	



**Southwest Microwave, Inc.**  
9055 South McKemy Street  
Tempe, Arizona 85284-2946  
Telephone (480) 783-0201  
Fax (480) 783-0360