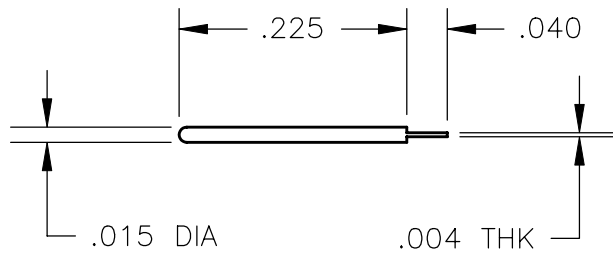
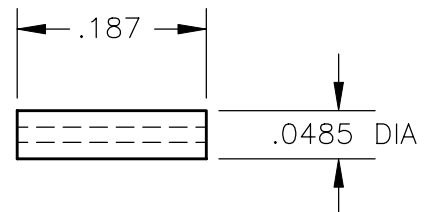


NOTE: Information herein is believed by Southwest Microwave, Inc. to be accurate. However, Southwest Microwave assumes no responsibility for any omissions or errors or inaccuracies for its use or for any infringements of patents or other rights of third parties that may result from its use. Data is intended for informational purpose only and does not constitute a contract of sale or any express or implied warranty, including any warranty of merchant ability or fitness for a particular purpose.



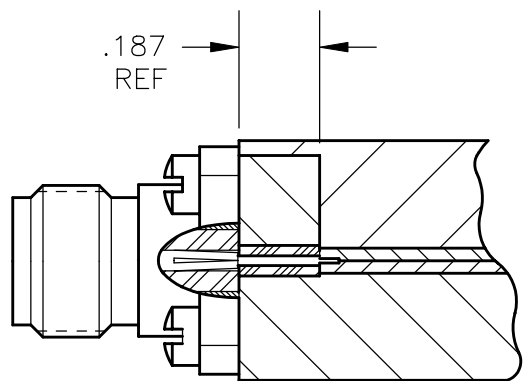
PIN/TAB  
290-24P



DIELECTRIC  
290-24D

APPLICATION

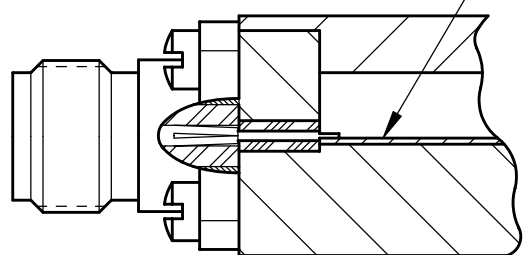
STRIPLINE TRANSITION LAUNCH



CATALOG CONNECTOR MODELS

- 211-01,-14,-22SF
- 212-01,-08,-21SF
- 213-01,-13,-26SF
- 214-01,-13,-26SF

MICROSTRIP



PIN/TAB: BeCu  
UNS-C17300 PER ASTM-B-196/197.  
GOLD PLATE PER MIL-G-45204.

DIEL: VIRGIN TFE FLUOROCARBON PER  
ASTM-D-1710, TYPE 1, GRADE 1,  
CLASS B, AND ASTM-D-1457.

MATERIAL & FINISH

REV: A3    ECN: 6300    DATE: 6-30-95

DRAWN DK	DATE 9-2-94	APRVD. GH	DATE 9-14-94
-------------	----------------	--------------	-----------------

TITLE  
290-24G  
PIN/TAB, .015 DIA X .225L X .040 TAB  
WITH .187 LONG DIELECTRIC



Southwest Microwave, Inc.  
9055 South McKerny Street  
Tempe, Arizona 85284-2946  
Telephone (480) 783-0201  
Fax (480) 783-0360

DATE 9/94	DWG. NO. 79B53556	REV. A4
SHEET 1	OF 1	