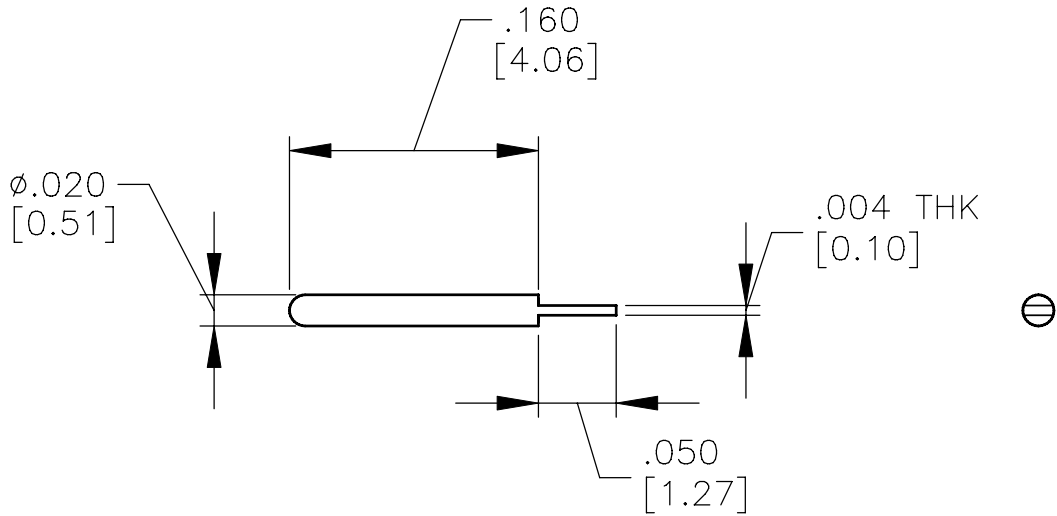
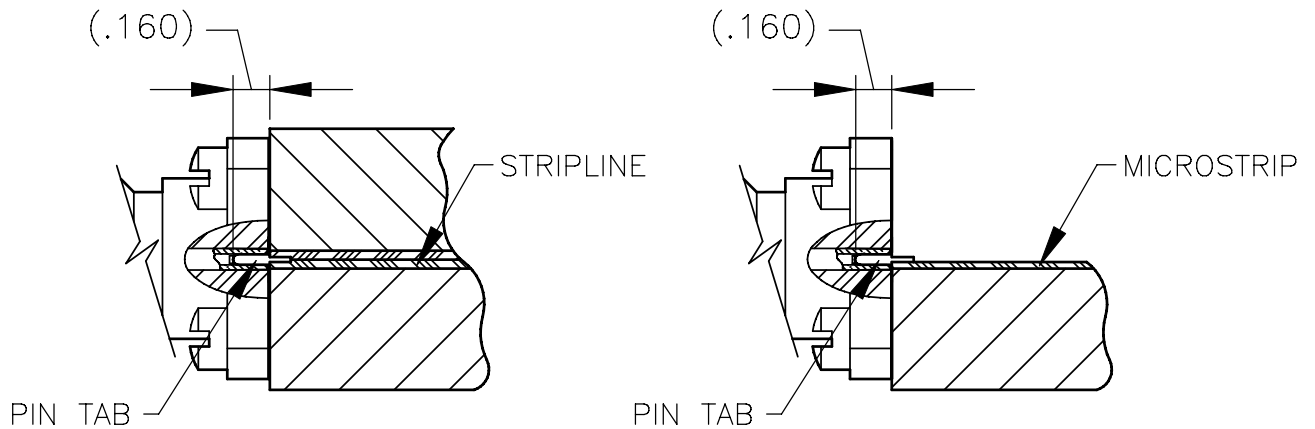


NOTE: Information herein is believed by Southwest Microwave, Inc. to be accurate. However, Southwest Microwave assumes no responsibility for any omissions or errors or inaccuracies for its use or for any infringements of patents or other rights of third parties that may result from its use. Data is intended for informational purpose only and does not constitute a contract of sale or any express or implied warranty, including any warranty of merchant ability or fitness for a particular purpose.



PIN TAB



APPLICATION REFERENCE  
N.T.S.

1. ALL DIMENSIONS ARE IN INCHES, ALL ANGLES ARE IN DEGREES. DIMENSIONS SHOWN IN BRACKETS [XXX] ARE MILLIMETERS.

TOLERANCES ARE BASED UPON DIMENSIONS IN INCHES. METRIC DIMENSIONS ARE FOR "REFERENCE ONLY".

NOTES: UNLESS OTHERWISE SPECIFIED

PIN TAB:	BeCu UNS-C17300 PER ASTM-B-196/197 GOLD PLATE PER MIL-G-45204
ITEM	MATERIAL & FINISH

REV A	RELEASE	DATE: 9/13/06	APRVD. R.BOAK	DATE: 9/13/06
----------	---------	------------------	------------------	------------------

TITLE  
PIN TAB .020 DIA x ..160 LONG  
WITH .004 THK x .050 LONG TAB



Southwest Microwave, Inc.  
9055 South McKemy Street  
Tempe, Arizona 85284-2946  
Telephone (480) 783-0201  
Fax (480) 783-0360

DRN BY: EJO	DATE: 9/06	MODEL NO.	290-27P	REV. A
SCALE: N/A				
SHEET: 1 OF 1		DWG. NO.	79B54169	