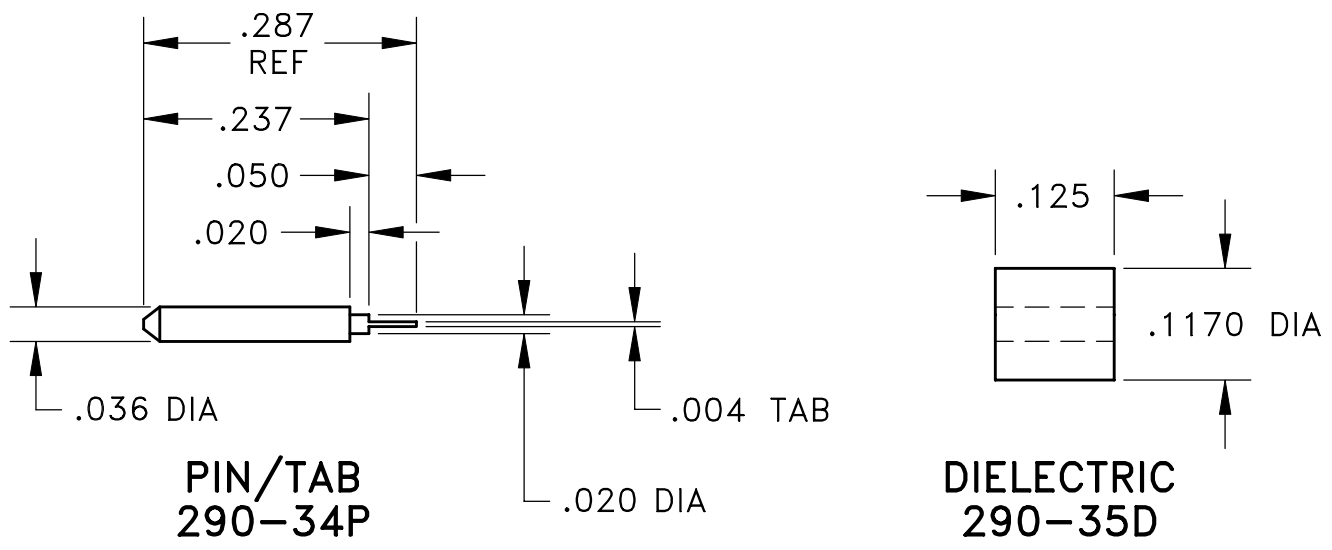


NOTE: Information herein is believed by Southwest Microwave, Inc. to be accurate. However, Southwest Microwave assumes no responsibility for any omissions or errors or inaccuracies for its use or for any infringements of patents or other rights of third parties that may result from its use. Data is intended for informational purpose only and does not constitute a contract of sale or any express or implied warranty, including any warranty of merchant ability or fitness for a particular purpose.

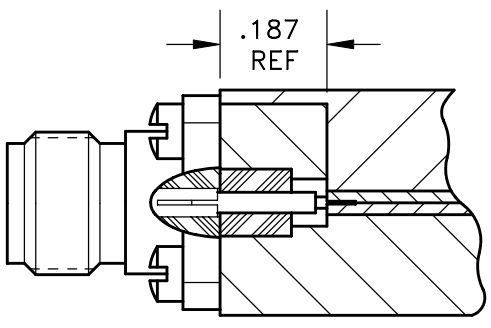


**PIN/TAB  
290-34P**

**DIELECTRIC  
290-35D**

**APPLICATION**

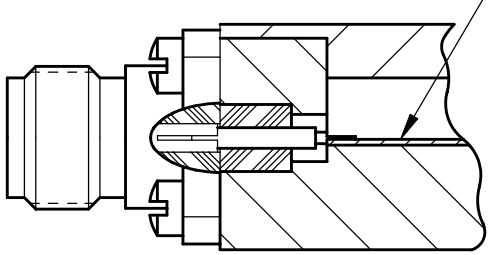
**STRIPLINE TRANSITION LAUNCH**



**CATALOG CONNECTOR MODELS**

- 211-503,-513SF
- 212-503,-513SF
- 213-503SF
- 214-503SF

**MICROSTRIP**



**PIN TAB:** BeCu  
UNS-C17300 PER ASTM-B-196/197.  
GOLD PLATE PER MIL-G-45204.

**DIELECTRIC:** VIRGIN TFE FLUOROCARBON PER  
ASTM-D-1710, TYPE 1, GRADE 1,  
CLASS B, AND ASTM-D-1457.

**MATERIAL & FINISH**

<b>DRAWN</b> DK	<b>DATE</b> 7-25-96	<b>APRVD.</b> GH	<b>DATE</b> 7/31/96
--------------------	------------------------	---------------------	------------------------

**TITLE**  
290-34P-35D  
PIN/TAB, .036 DIA X .237L X .050 TAB  
WITH .125 LONG DIELECTRIC



**Southwest Microwave, Inc.**  
9055 South McKerny Street  
Tempe, Arizona 85284-2946  
Telephone (480) 783-0201  
Fax (480) 783-0360

<b>DATE</b> 7/96	<b>DWG. NO.</b> 79B54441	<b>REV.</b> A1
<b>SHEET</b> 1 OF 1		