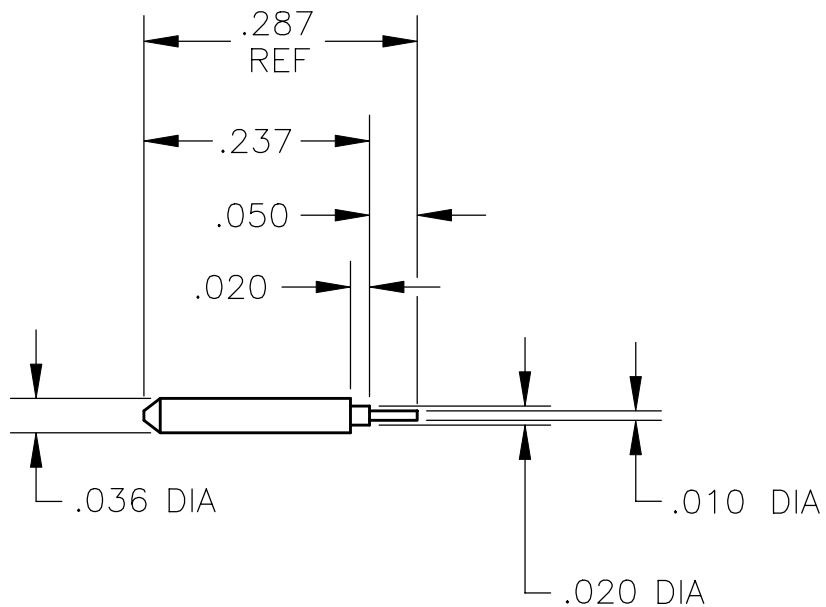
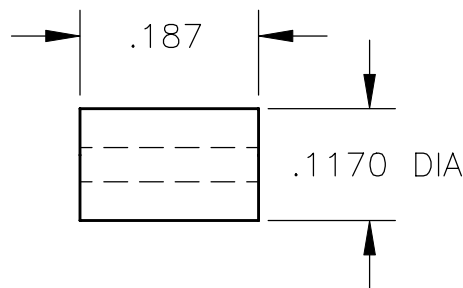


NOTE: Information herein is believed by Southwest Microwave, Inc. to be accurate. However, Southwest Microwave assumes no responsibility for any omissions or errors or inaccuracies for its use or for any infringements of patents or other rights of third parties that may result from its use. Data is intended for informational purpose only and does not constitute a contract of sale or any express or implied warranty, including any warranty of merchant ability or fitness for a particular purpose.

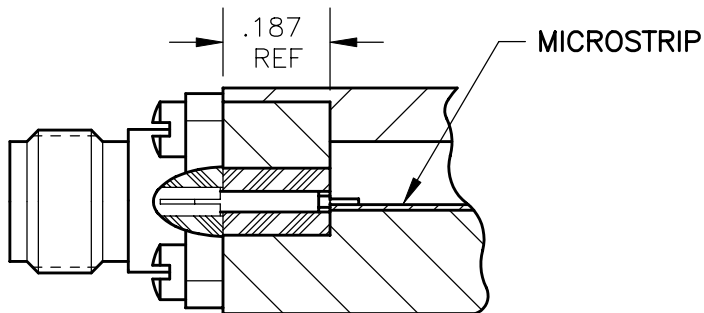


LAUNCH PIN  
290-36P



DIELECTRIC  
290-36D

APPLICATION



CATALOG CONNECTOR MODELS

211-503,-513SF  
212-503,-513SF  
213-503SF  
214-503SF

LAUNCH PIN: BeCu  
UNS-C17300 PER ASTM-B-196/197.  
GOLD PLATE PER MIL-G-45204.

DIELECTRIC: VIRGIN TFE FLUOROCARBON PER  
ASTM-D-1710, TYPE 1, GRADE 1,  
CLASS B, AND ASTM-D-1457.

MATERIAL & FINISH

DRAWN DK	DATE 7-25-96	APRVD. GH	DATE 7/31/96
-------------	-----------------	--------------	-----------------

TITLE  
290-36G  
LAUNCH PIN, .036 DIA X .237L  
WITH .187 LONG DIELECTRIC



Southwest Microwave, Inc.  
9055 South McKemy Street  
Tempe, Arizona 85284-2946  
Telephone (480) 783-0201  
Fax (480) 783-0360

DATE 7/96	DWG. NO. 79B54442	REV. A1
SHEET 1 OF 1		