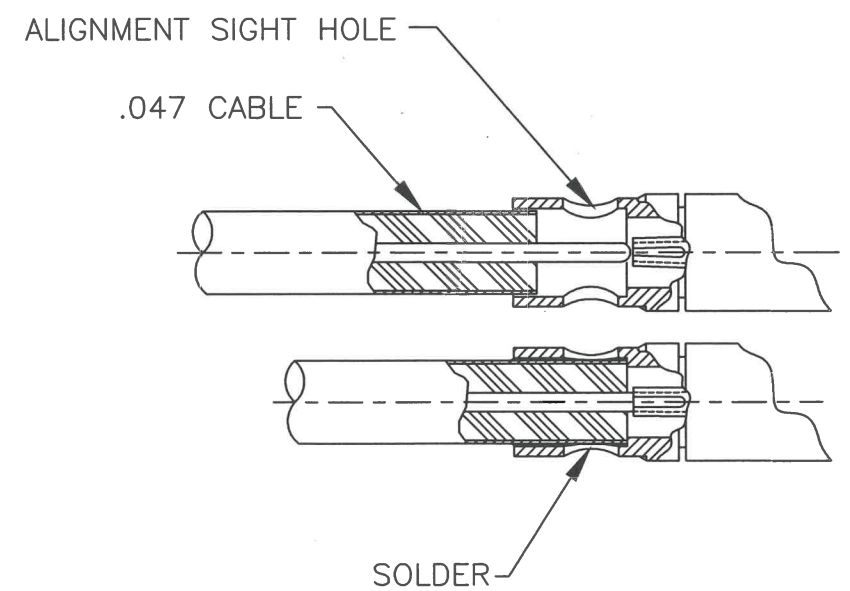
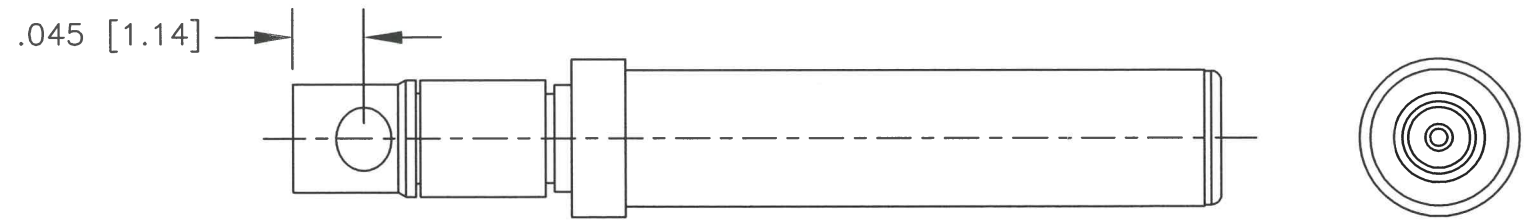
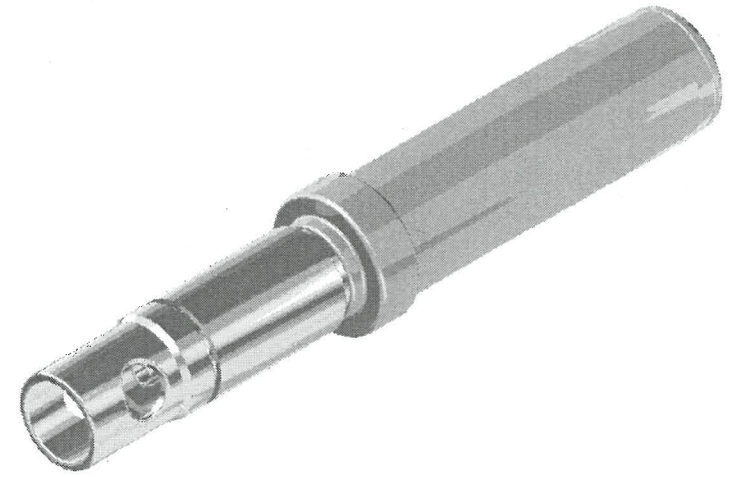
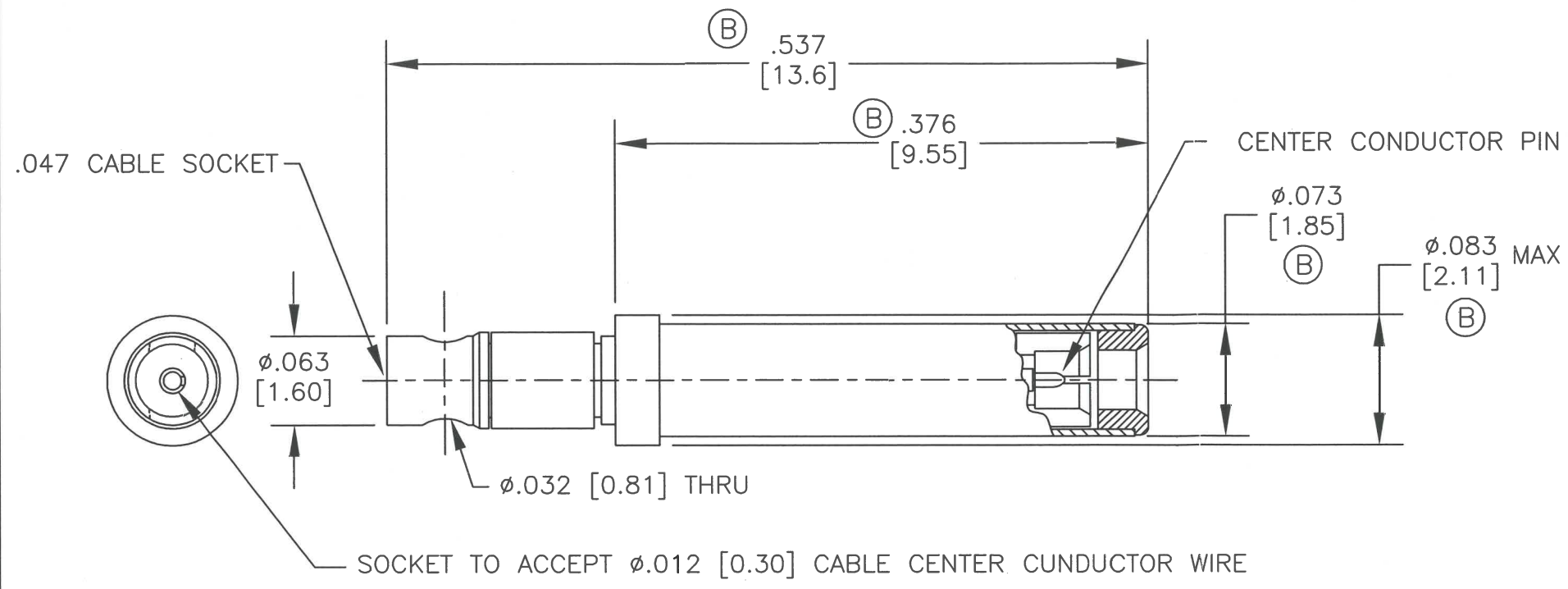


DWG NO. 79Y58799 REV. B


CONFIDENTIAL  
 PROPRIETARY INFORMATION OF  
 SOUTHWEST MICROWAVE, INC.  
 THIS DOCUMENT SHALL NOT BE  
 REPRODUCED IN ANY MANNER



OUTER CONDUCTOR HOUSING AND CABLE BUSHING:	BeCu UNS-C17300 PER ASTM-B-196/197 GOLD PLATE PER MIL-G-45204
PRECISION ALIGNMENT BUSHING AND SLEEVE:	S.S ALLOY UNS-S30300 PER ASTM-A582 PASSIVATED PER QQN-290
CENTER CONTACT:	BeCu UNS-C17300 PER ASTM-B-196/197 GOLD PLATE PER MIL-G-45204
DIELECTRIC BEADS:	ULTEM 1000 PER ASTM-D-5205 KEL-F PER MIL-P-46036
COMPRESSION SPRING:	MUSIC WIRE
ITEM	MATERIAL AND FINISHES

1. ALL DIMENSIONS ARE IN INCHES, ALL ANGLES ARE IN DEGREES. DIMENSIONS SHOWN IN [ ] ARE METRIC.  
 NOTES: UNLESS OTHERWISE SPECIFIED

NOTE: Information herein is believed by Southwest Microwave, Inc. to be accurate. However, Southwest Microwave assumes no responsibility for any omissions or errors or inaccuracies for its use or for any infringements of patents or other rights of third parties that may result from its use. Data is intended for informational purpose only and does not constitute a contract of sale or any express or implied warranty, including any warranty of merchant ability or fitness for a particular purpose.

REV B	ECN: 8649	INIT: ROR	DATE: 6/4/08	APPRD: B. Clyatt	DATE: 8/20/08	TITLE
 Southwest Microwave, Inc. 9055 South McKemy Street Tempe, Arizona 85284-2946 Telephone (480) 783-0201 Fax (480) 783-0360						SSBP SOCKET, SIZE 20 HD FOR .047 CABLE TERMINATION (FLEX OR S.R.)
DRN BY: EJO	DATE: 4/05	MODEL NO.	51102-001S	REV. B		
SCALE: 9:1	DWG. NO.		79Y58799			
SHEET: 1 OF 1						

MPD-B-002 REV A