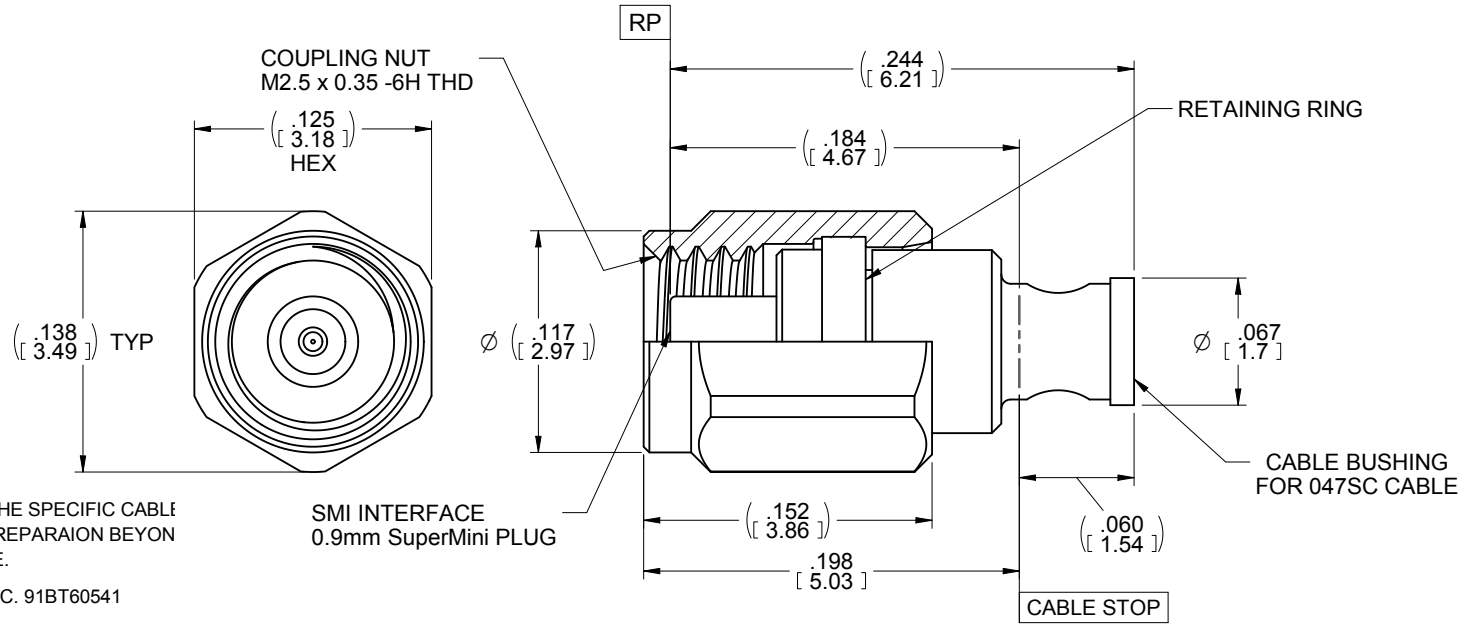


MODEL No.:

52070-006P

NOTE: Information herein is believed by Southwest Microwave, Inc. to be accurate. However, Southwest Microwave assumes no responsibility for any omissions or errors or inaccuracies for its use or for any infringements of patents or other rights of third parties that may result from its use. Data is intended for informational purpose only and does not constitute a contract of sale or any express or implied warranty, including any warranty of merchant ability or fitness for a particular purpose.



5. PERFORMANCE IS DEPENDENT UPON THE SPECIFIC CABLE SELECTED AND THIRD-PARTY CABLE PREPARATION BEYOND CONTROL OF SOUTHWEST MICROWAVE.

4. CABLE TERMINATION INSTRUCTION SPEC. 91BT60541

3. MATERIAL AND FINISH:

3.1 MATERIALS

3.1.1 CENTER CONTACT AND HOUSING:

- BeCu ALLOY

3.1.2 DIELECTRIC BEAD:

- HIGH TEMPERATURE POLYMER

3.1.3 COUPLING NUT:

- STAINLESS STEEL

3.1.4 RETAINING RING:

- VASCOMAX C350

3.2 FINISHES

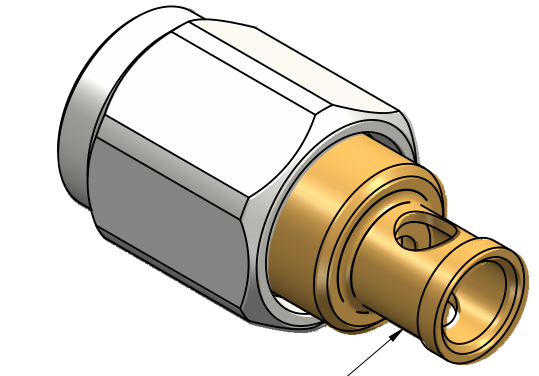
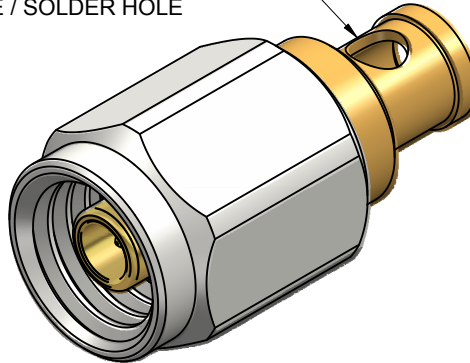
3.2.1 CENTER CONTACT AND HOUSING:

- GOLD PLATE PER MIL-DTL-45204

3.2.2 COUPLING NUT:

- PASSIVATE

CABLE CENTER CONDUCTOR
ALIGNMENT SIGHT
HOLE / SOLDER HOLE



CABLE TERMINATION END

FSCM NO. **66049**

2. CONNECTOR DESIGN IS COMPATIBLE WITH CURRENT MAT PROCESS REQUIREMENTS FOR RoHS AND WEEE PER EUR COMMUNITY DIRECTIVE 2002/95/EC.

1. ALL DIMENSIONS ARE IN INCHES. ALL ANGLES ARE IN DEG DIMENSIONS SHOWN IN BRACKETS [XXX] ARE IN MILLIMET

NOTES: UNLESS OTHERWISE SPECIFIED.

REV. B1	ECN: 9317	DESCRIPTION: REVISED DWG TITLE	BY: E.OLSEN	APRVD: B.CLYATT	DATE: 1/16/15
---------	-----------	--------------------------------	-------------	-----------------	---------------



Southwest Microwave, Inc.
9055 South McKerny Street
Tempe, Arizona 85284-2946
Telephone (480) 783-0201
Fax (480) 783-0360

TITLE				FSCM NO. 66049	
0.9mm SuperMini PLUG DIRECT SOLDER 047 SOLID CORE CABLE CONNECTOR					
DRN BY: EJO	DATE: 10/18/13	MODEL NO.	52070-006P		REV. B1
SCALE 10:1		DWG. NO.	79BT61193		
SHEET: 1 OF 1					