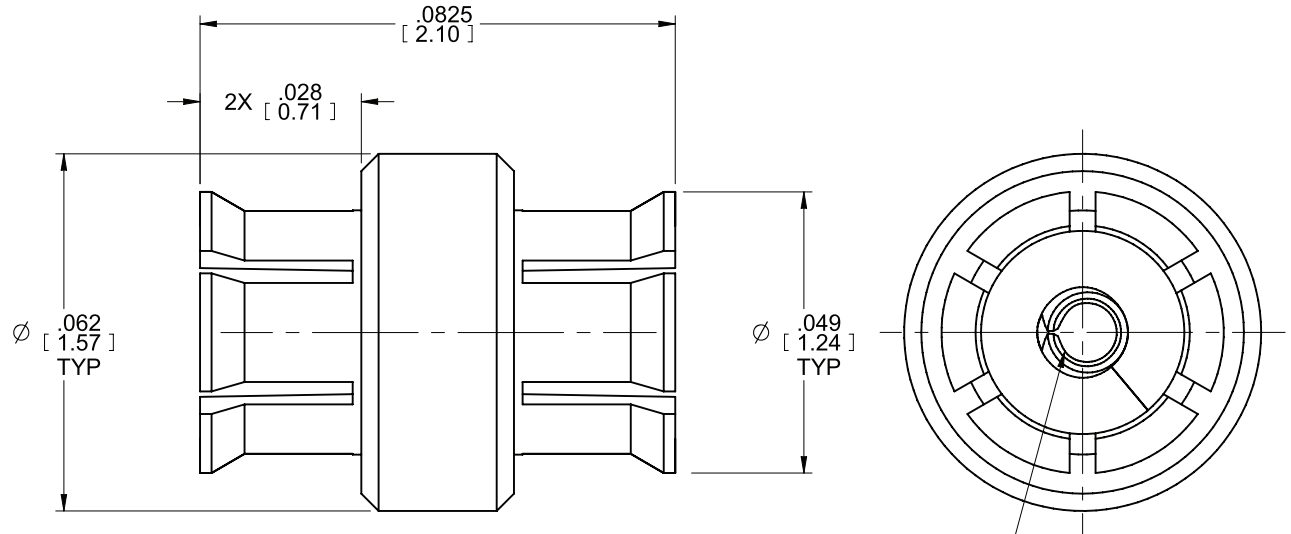
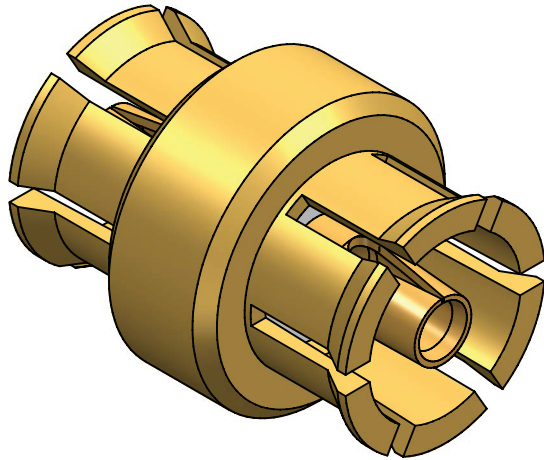


MODEL No.:

54033-009B

NOTE: Information herein is believed by Southwest Microwave, Inc., to be accurate. However, Southwest Microwave assumes no responsibility for any omissions or errors or inaccuracies for its use or for any infringements of patents or other rights of third parties that may result from its use. Data is intended for informational purpose only and does not constitute a contract of sale or any express or implied warranty, including any warranty of merchantability or fitness for a particular purpose

DOCUMENT CONTROL  
NOV 19 2019



SMI SSBB BULLET INTERFACE  
BOTH ENDS

3. MATERIAL AND FINISH:

3.1 MATERIALS

OUTER AND CENTER CONTACTS:  
BeCu ALLOY UNS-C17300 PER ASTM B196/197

BEAD RING:  
PTFE

3.2 FINISHES


OUTER AND CENTER CONTACTS:  
GOLD PLATE PER MIL-DTL-45204

2. CONNECTOR DESIGN IS COMPATIBLE WITH CURRENT MATERIAL AND PROCESS REQUIREMENTS FOR RoHS AND WEEE PER EUROPEAN COMMUNITY DIRECTIVE 2002/95/EC.

1. ALL DIMENSIONS ARE IN INCHES. ALL ANGLES ARE IN DEGREES. DIMENSIONS SHOWN IN BRACKETS [XXX] ARE IN MILLIMETERS.

NOTES: UNLESS OTHERWISE SPECIFIED.

FSCM NO. 66049

REV. B	ECN 276	REV BY JAC	APRVD. DE	DATE: 11/19/19	TITLE SSBB SIZE 20 BULLET .083 LONG (3mm BOARD-TO-BOARD APPL)			
 <p>Southwest Microwave, Inc. 9055 South McKemy Street Tempe, Arizona 85284-2946 Telephone (480) 783-0201 Fax (480) 783-0360</p>					DRN BY: EJO	DATE: 4/8/15	MODEL NO.	REV.
					SCALE: 30:1		54033-009B	B
					SHEET: 1 OF 1		DWG. NO.	79BB62037

MP0-A-01-3x