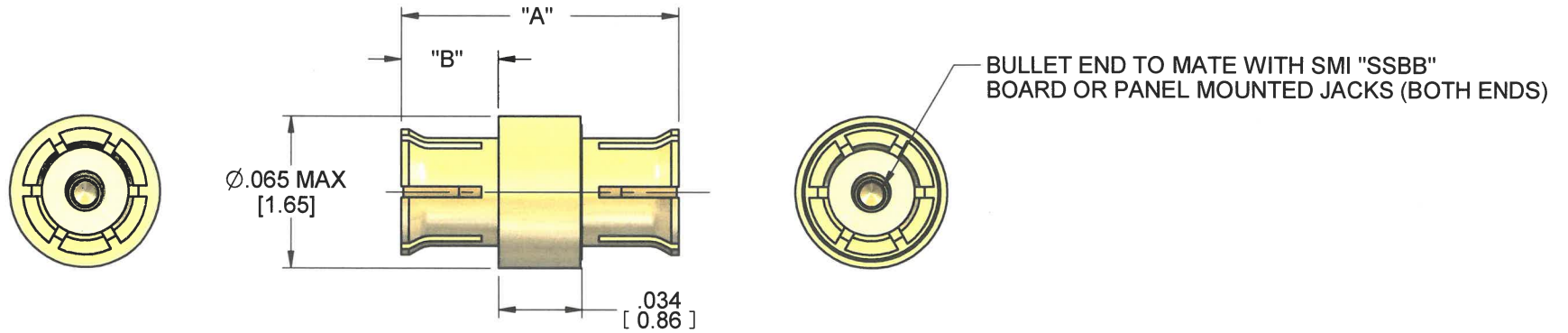


MODEL No.:

54033-XXXB

NOTE: Information herein is believed by Southwest Microwave, Inc. to be accurate. However, Southwest Microwave assumes no responsibility for any omissions or errors or inaccuracies for its use or for any infringements of patents or other rights of third parties that may result from its use. Data is intended for informational purpose only and does not constitute a contract of sale or any express or implied warranty, including any warranty of merchant ability or fitness for a particular purpose.



OVERALL BULLET LENGTH IS DETERMINED AS FOLLOWS:

LENGTH "A" MAX = (MINIMUM BOARD TO BOARD SPACING) - (SUM OF MAXIMUM DIMENSIONS FROM DIELECTRIC FACE TO HOUSING BASE FOR BOTH MATING JACKS) - 2(MAXIMUM PAD THICKNESS + SOLDER THICKNESS MAX)

MAXIMUM ALLOWABLE TOLERANCE ON BOARD-TO-BOARD SPACING IS ±.003.

3. MATERIAL AND FINISH:

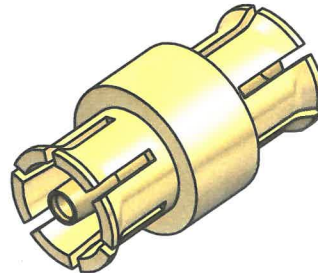
3.1 MATERIALS

3.1.1 CONTACTS:
- BeCu ALLOY

3.1.2 DIELECTRIC BEAD:
- HIGH TEMPERATURE POLYMER

3.2 FINISHES

3.2.1 CONTACTS:
- GOLD PLATE PER MIL-DTL-45204




-008	.452 [11.48]	.209 [5.31]	54033-008B
-007	.439 [11.15]	.202 [5.13]	54033-007B
-006	.193 [4.90]	.079 [2.02]	54033-006B
-005	.139 [3.53]	.052 [1.33]	54033-005B
-004	.103 [2.62]	.034 [0.88]	54033-004B
-003	.203 [5.16]	.084 [2.15]	54033-003B
-002	.149 [3.78]	.057 [1.46]	54033-002B
-001	.113 [2.87]	.039 [0.99]	54033-001B
DASH No.	DIM "A"	DIM "B"	MODEL No.

2. CONNECTOR DESIGN IS COMPATIBLE WITH CURRENT MATERIAL AND PROCESS REQUIREMENTS FOR RoHS AND WEEE PER EUROPEAN COMMUNITY DIRECTIVE 2002/95/EC.

1. ALL DIMENSIONS ARE IN INCHES. ALL ANGLES ARE IN DEGREES. DIMENSIONS SHOWN IN BRACKETS [XXX] ARE IN MILLIMETERS.

NOTES: UNLESS OTHERWISE SPECIFIED.

REV. A	RELEASE	APRVD: <i>B. Chyatt</i>	DATE: 11/21/12	TITLE					
 Southwest Microwave, Inc. 9055 South McKemy Street Tempe, Arizona 85284-2946 Telephone (480) 783-0201 Fax (480) 783-0360				SSBB-20 BULLET					
				DRN BY: EJO	DATE: 11/21/12	MODEL NO.	54033-XXXB		REV. A
				SCALE 15:1		DWG. NO.	79BB61000		
				SHEET: 1 OF 1					