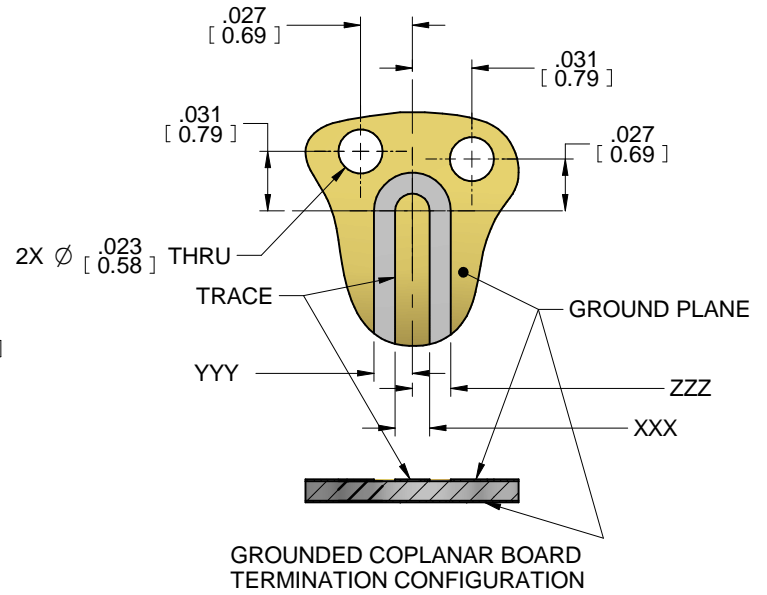
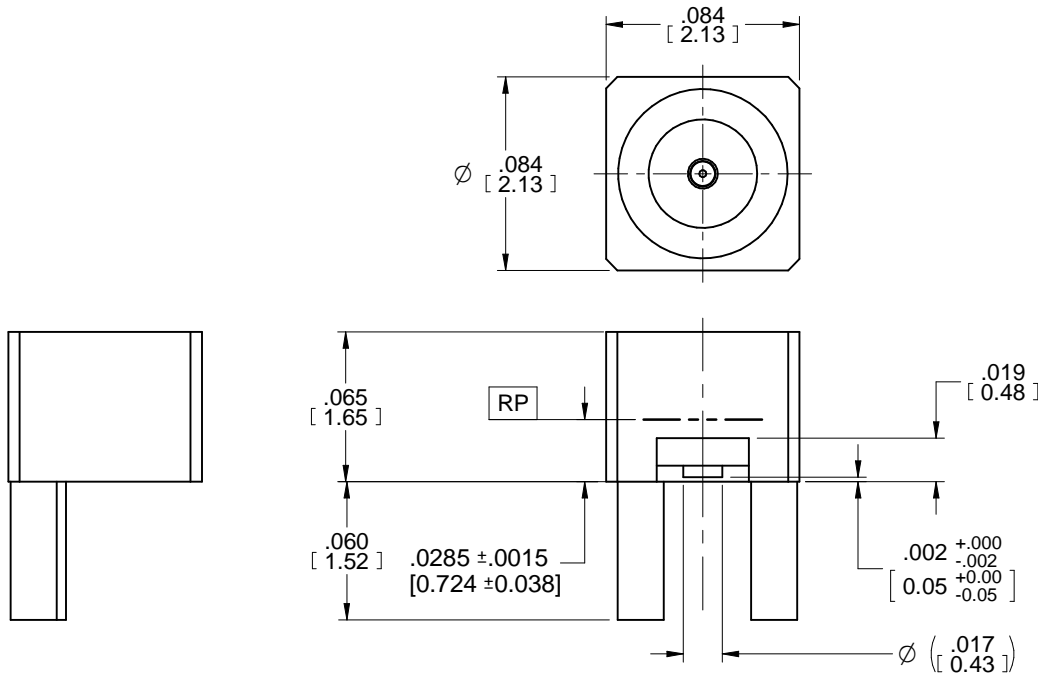


MODEL No.:

55057-003J

NOTE: Information herein is believed by Southwest Microwave, Inc., to be accurate. However, Southwest Microwave assumes no responsibility for any omissions or errors or inaccuracies for its use or for any infringements of patents or other rights of third parties that may result from its use. Data is intended for informational purpose only and does not constitute a contract of sale or any express or implied warranty, including any warranty of merchantability or fitness for a particular purpose



4. GROUND PLANE AND TRACE SPECIFIC CONFIGURATIONS TO BE DETERMINED BY INDIVIDUAL APPLICATION REQUIREMENTS.

3. MATERIAL AND FINISH:

3.1 MATERIALS

HOUSING AND CENTER CONTACT:
BeCu ALLOY

DIELECTRIC BEAD:
PEEK HT

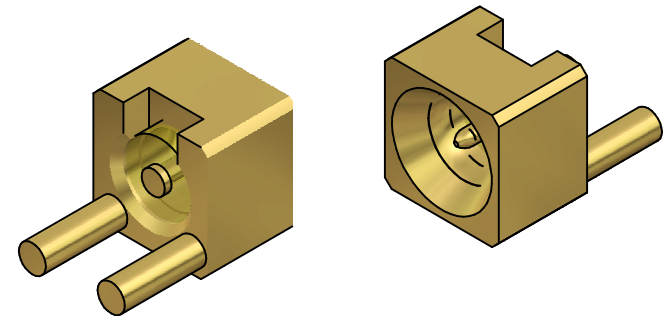
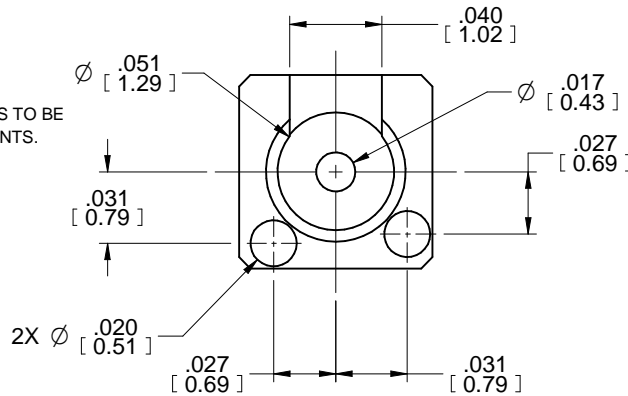
3.2 FINISHES

HOUSING AND CENTER CONTACT:
GOLD PLATE PER MIL-DTL-45204
- HOUSING: GOLD THICKNESS .000060 - .000090
- CONTACT: GOLD THICKNESS .000025 - .000040

2. CONNECTOR DESIGN IS COMPATIBLE WITH CURRENT MATERIAL AND PROCESS REQUIREMENTS FOR RoHS AND WEEE PER EUROPEAN COMMUNITY DIRECTIVE 2002/95/EC.

1. ALL DIMENSIONS ARE IN INCHES. ALL ANGLES ARE IN DEGREES. DIMENSIONS SHOWN IN BRACKETS [XXX] ARE IN MILLIMETERS.

NOTES: UNLESS OTHERWISE SPECIFIED.



FSCM NO. 66049

REV. B3	ECN: 9494	BY: EJO	DATE: 4/26/16	APRVD: B.CLYATT	DATE: 4/28/16
---------	-----------	---------	---------------	-----------------	---------------



Southwest Microwave, Inc.
9055 South McKemy Street
Tempe, Arizona 85284-2946
Telephone (480) 783-0201
Fax (480) 783-0360

TITLE
Super-Mini Board-to-Board
VERTICAL MOUNT JACK (FEMALE), (SMOOTH BORE)
THRU HOLE, 2 POST .060 LONG
GCPW OR MICROSTRIP LAUNCH

DRN BY: ROR	DATE: 8/06	MODEL NO. 55057-003J	REV. B3
SCALE 12:1		DWG. NO. 79BB60005	
SHEET: 1 OF 1			