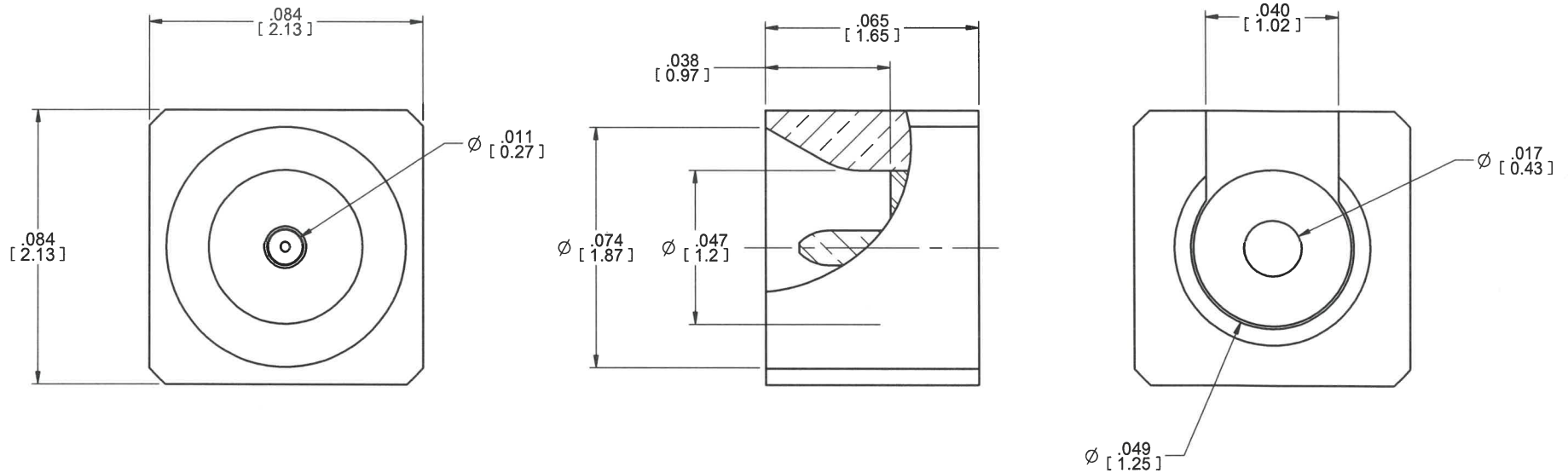


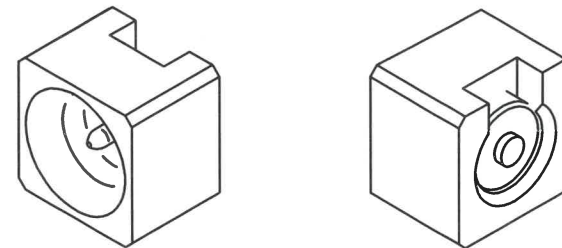
MODEL No.:

55057-009J

NOTE: Information herein is believed by Southwest Microwave, Inc. to be accurate. However, Southwest Microwave assumes no responsibility for any omissions or errors or inaccuracies for its use or for any infringements of patents or other rights of third parties that may result from its use. Data is intended for informational purpose only and does not constitute a contract of sale or any express or implied warranty, including any warranty of merchant ability or fitness for a particular purpose.




HOUSING:	BeCu UNS-C17300 PER ASTM B196/197 GOLD PLATE PER MIL-DTL-45204
CONTACT:	BeCu UNS-C17300 PER ASTM B196/197 GOLD PLATE PER MIL-DTL-45204
CAPTURE BEAD:	PEEK-HT (PEK 220G LT BROWN)
ITEM	MATERIAL & FINISH



1. ALL DIMENSIONS ARE IN INCHES. ALL ANGLES ARE IN DEGREES. DIMENSIONS SHOWN IN BRACKETS [XXX] ARE IN MILLIMETERS.

NOTES: UNLESS OTHERWISE SPECIFIED.

REV X0	PROTOTYPE RELEASE	APRVD JW	DATE: 07/11/18	TITLE 55057-009J SSBB-20 J SQ SURF MNT CBM (SMOOTH BORE)			
 SOUTHWEST MICROWAVE Southwest Microwave, Inc. 9055 South McKemy Street Tempe, Arizona 85284-2946 Telephone (480) 783-0201 Fax (480) 783-0360				DRN BY: JW	DATE: 07/11/18	DWG. NO. 79BB68595	REV. X0
				SCALE: 20:1			
				SHEET: 1 OF 1			