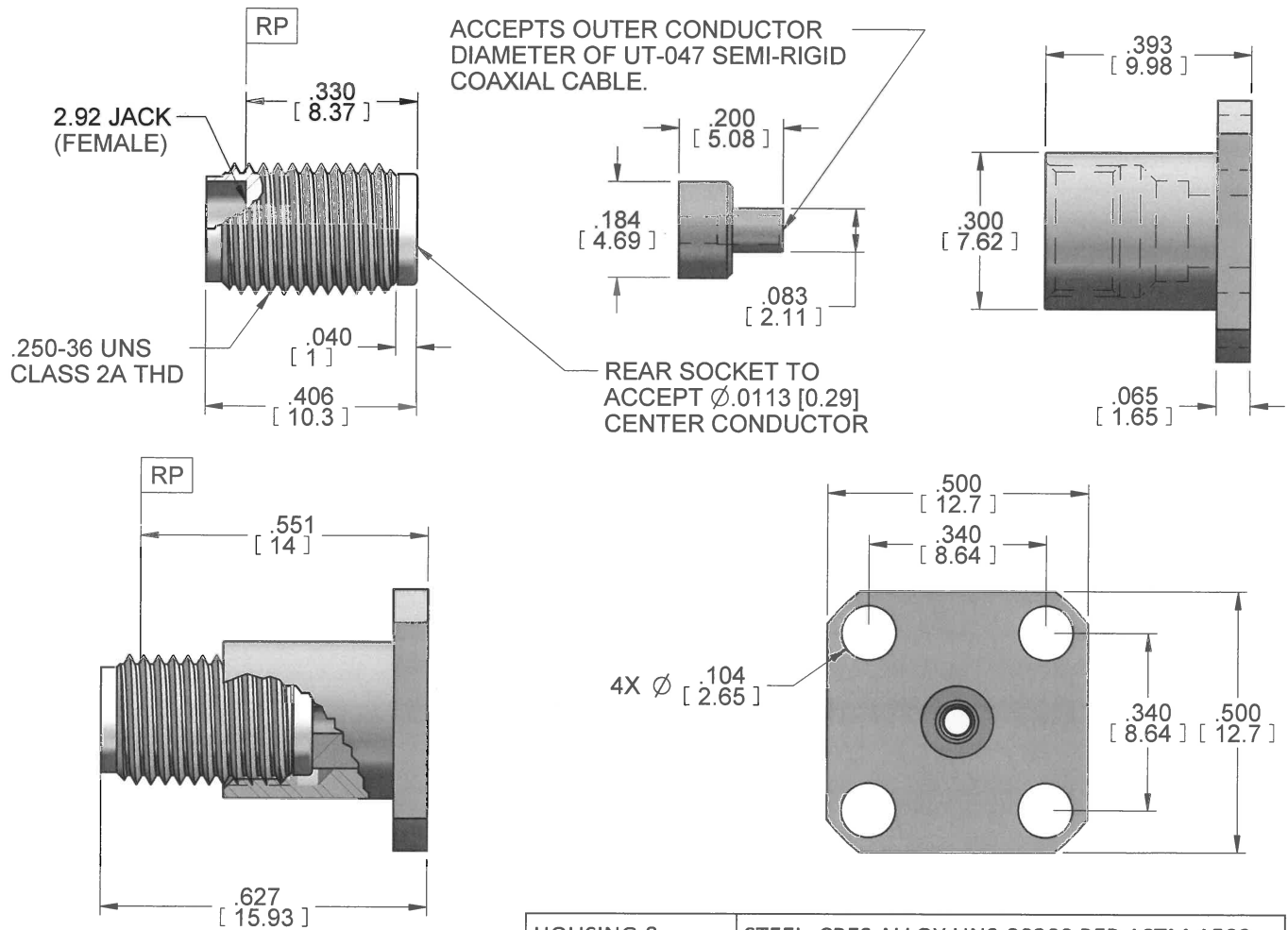


NOTE: Information herein is believed by Southwest Microwave, Inc. to be accurate. However, Southwest Microwave assumes no responsibility for any omissions or errors or inaccuracies for its use or for any infringements of patents or other rights of third parties that may result from its use. Data is intended for informational purpose only and does not constitute a contract of sale or any express or implied warranty, including any warranty of merchant ability or fitness for a particular purpose.



ACCEPTS OUTER CONDUCTOR DIAMETER OF UT-047 SEMI-RIGID COAXIAL CABLE.


REAR SOCKET TO ACCEPT Ø.0113 [0.29] CENTER CONDUCTOR

HOUSING & FLG CBL NUT:	STEEL, CRES ALLOY UNS-30300 PER ASTM A582 PASSIVATE PER ASTM A967
CONTACT & CBLE ADP:	BeCu UNS-C17300 PER ASTM B196/197 GOLD PLATE PER MIL-DTL-45204
DIELECTRIC:	KEL-F PER ASTM D1430
DIELECTRIC:	ULTEM 1000 PER ASTM D5205
ITEM	MATERIAL & FINISH

CABLE ASSY. INSTR.:	91S59287
CONTACT GAGING SPEC.:	91S52116
SPECIFICATION:	91S52077
INTERFACE:	91S52019
SPECIFICATION GROUP	DRAWING NO.

2. INTERFACE I.A.W. MIL-STD-348
1. ALL DIMENSIONS ARE IN INCHES. ALL ANGLES ARE IN DEGREES. DIMENSIONS SHOWN IN BRACKETS [XXX] ARE IN MILLIMETERS.

NOTES: UNLESS OTHERWISE SPECIFIED.

REV A	RELEASED	DATE:	APRVD. <i>BR</i>	DATE: <i>4/1/11</i>	TITLE <b>2.92 JACK (F) 4 HOLE REAR MOUNT FLANGE CABLE CONNECTOR ACCEPTS .047 SEMI-RIGID CABLE</b>												
 <p>Southwest Microwave, Inc. 9055 South McKemy Street Tempe, Arizona 85284-2946 Telephone (480) 783-0201 Fax (480) 783-0360</p>					<table border="1"> <tr> <td>DRN BY: DE</td> <td>DATE: 03/30/11</td> <td>MODEL NO. <b>1002-12SF-SL</b></td> <td>REV. <b>A</b></td> </tr> <tr> <td colspan="2">SCALE: 3:1</td> <td>DWG. NO. 79K60525SL</td> <td></td> </tr> <tr> <td colspan="2">SHEET: 1 OF 1</td> <td></td> <td></td> </tr> </table>	DRN BY: DE	DATE: 03/30/11	MODEL NO. <b>1002-12SF-SL</b>	REV. <b>A</b>	SCALE: 3:1		DWG. NO. 79K60525SL		SHEET: 1 OF 1			
DRN BY: DE	DATE: 03/30/11	MODEL NO. <b>1002-12SF-SL</b>	REV. <b>A</b>														
SCALE: 3:1		DWG. NO. 79K60525SL															
SHEET: 1 OF 1																	

MFD-A-O.L. 3x