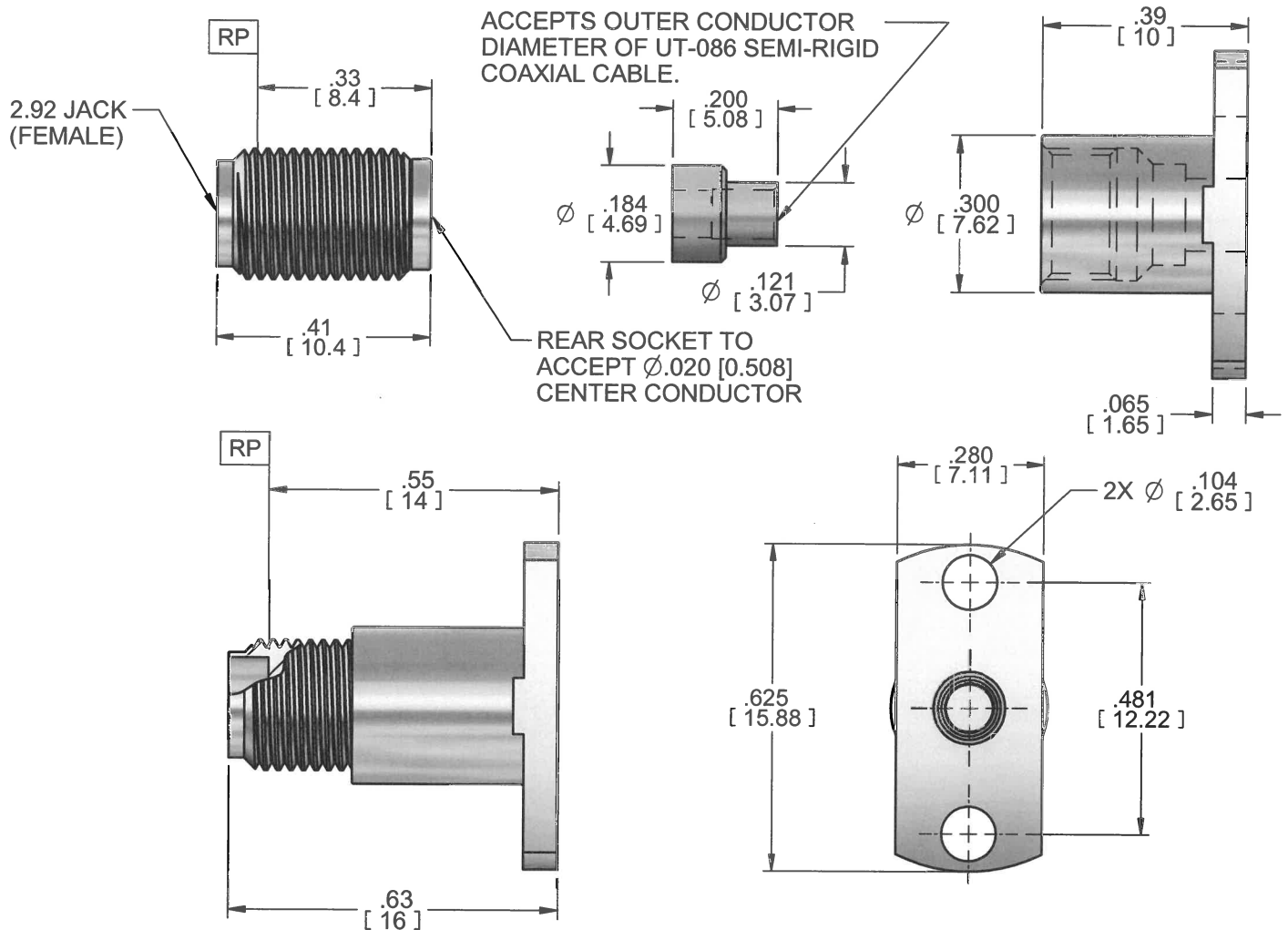


NOTE: Information herein is believed by Southwest Microwave, Inc. to be accurate. However, Southwest Microwave assumes no responsibility for any omissions or errors or inaccuracies for its use or for any infringements of patents or other rights of third parties that may result from its use. Data is intended for informational purpose only and does not constitute a contract of sale or any express or implied warranty, including any warranty of merchant ability or fitness for a particular purpose.




| | |
|-----------------------|-------------|
| CABLE ASSY. INSTR.: | 91S59287 |
| CONTACT GAGING SPEC.: | 91K52119 |
| SPECIFICATION: | 91K52084 |
| INTERFACE: | 91K52019 |
| SPECIFICATION GROUP | DRAWING NO. |

| | |
|--------------|--|
| HOUSING: | STEEL, CRES ALLOY UNS-30300 PER ASTM A582 |
| FLG CBL NUT: | PASSIVATE PER ASTM A967 |
| CONTACT : | BeCu UNS-C17300 PER ASTM B196 GOLD PLATE PER MIL-DTL-45204 |
| DIELECTRIC: | KEL-F PER ASTM D1430 |
| DIELECTRIC: | ULTEM 1000 PER ASTM D5205 |
| CABLE ADP: | C360 BRASS ALLOY UNS-C36000 PER ASTM B16 GOLD PLATE PER MIL-DTL-45204 |
| ITEM | MATERIAL & FINISH |

1. ALL DIMENSIONS ARE IN INCHES. ALL ANGLES ARE IN DEGREES. DIMENSIONS SHOWN IN BRACKET\$ [XXX] ARE IN MILLIMETERS.

NOTES: UNLESS OTHERWISE SPECIFIED.

| | | | | | | | | |
|---|----------|--------------------|--------------|------------------|--|-----------------|------------------------|-----------|
| REV A | RELEASED | DATE: 10/1/2013 | APPRD: PC | DATE: 10/1/13 | TITLE 2.92 JACK (F) 2 HOLE REAR MOUNT FLANGE CABLE CONNECTOR ACCEPTS .086 SEMI-RIGID CABLE | | | |
|  Southwest Microwave, Inc. 9055 South McKerny Street Tempe, Arizona 85284-2946 Telephone (480) 783-0201 Fax (480) 783-0360 | | | | | DRN BY: EJO | DATE: 9/8/11 | MODEL NO. 1002-17SF | REV. A |
| | | | | | SCALE: 3:1 | | DWG. NO. 79K60672 | |
| | | | | | SHEET: 1 OF 1 | | | |