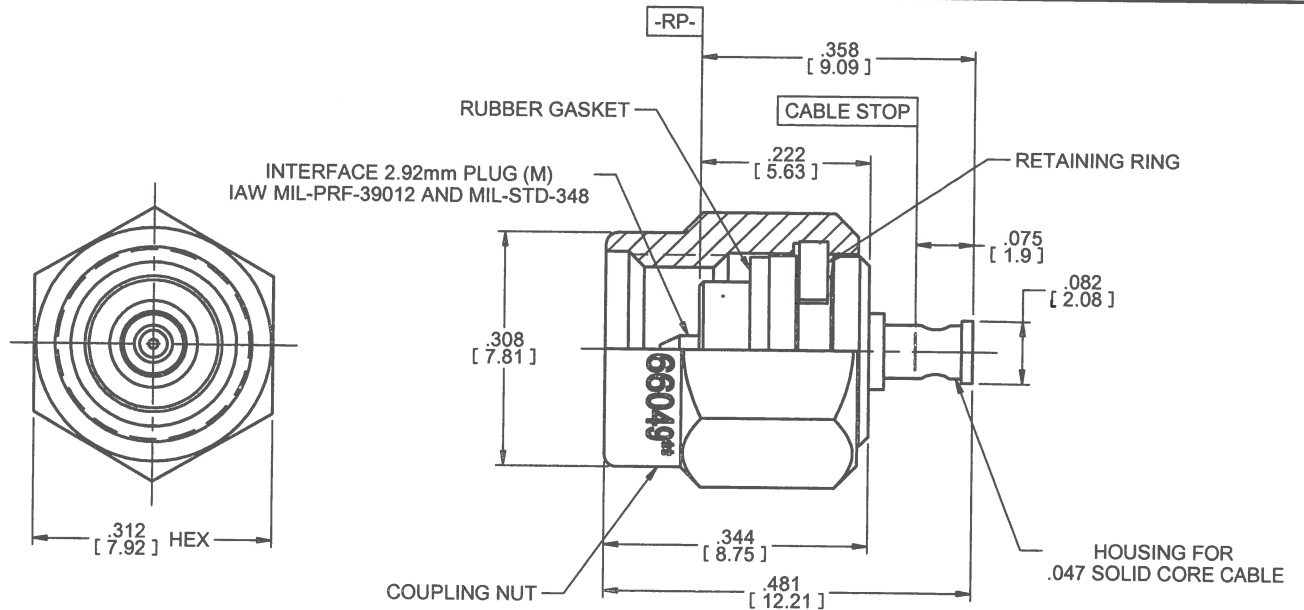


MODEL No.:

10270-01G

NOTE: Information herein is believed by Southwest Microwave, Inc. to be accurate. However, Southwest Microwave assumes no responsibility for any omissions or errors or inaccuracies for its use or for any infringements of patents or other rights of third parties that may result from its use. Data is intended for informational purpose only and does not constitute a contract of sale or any express or implied warranty, including any warranty of merchant ability or fitness for a particular purpose.



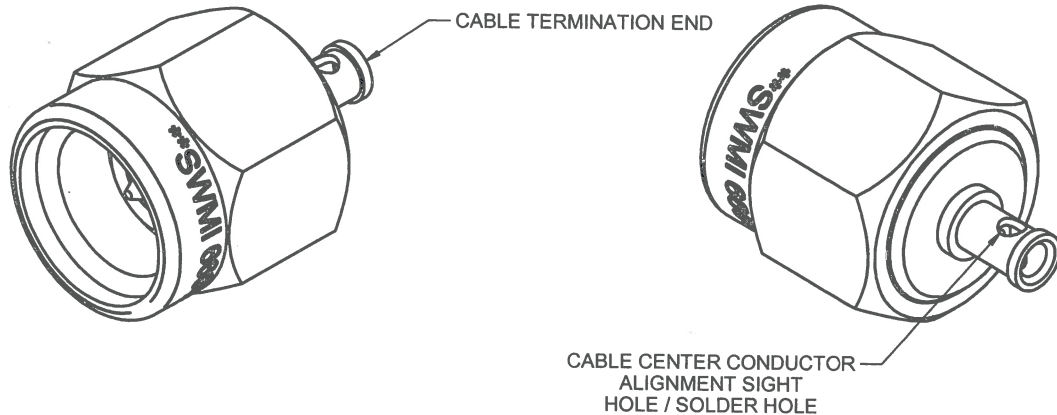
- 6. PERFORMANCE IS DEPENDENT UPON THE SPECIFIC CABLE SELECTED AND THE THIRD-PARTY CABLE PREPARATION BEYOND THE CONTROLL OF SOUTHWEST MICROWAVE.
- 5. SPECIFICATIONS PER SPECIFICATION SHEET 91KV61133.
- 4. CABLE TERMINATION INSTRUCTION SPEC. 91S61015.
- 3. MATERIAL AND FINISH:

3.1 MATERIALS

- 3.1.1 CENTER CONTACT, HOUSING, RETAINING RING AND INTERFACE BUSHING:  
BeCu ALLOY
- 3.1.2 COUPLING NUT:  
STAINLESS STEEL
- 3.1.3 DIELECTRIC BEAD:  
HIGH TEMPERATURE POLYMER
- 3.1.4 GASKET:  
SILICONE RUBBER

3.2 FINISHES


- 3.2.1 CENTER CONTACT, HOUSING AND INTERFACE BUSHING:  
GOLD PLATE PER MIL-DTL-45204
- 3.2.2 COUPLING NUT:  
PASSIVATE PER ASTM A967



- 2. CONNECTOR DESIGN IS COMPATIBLE WITH CURRENT MATERIAL AND PROCESS REQUIREMENTS FOR RoHS AND WEEE PER EUROPEAN COMMUNITY DIRECTIVE 2002/95/EC.

- 1. ALL DIMENSIONS ARE IN INCHES. ALL ANGLES ARE IN DEGREES. DIMENSIONS SHOWN IN BRACKETS [XXX] ARE IN MILLIMETERS.

NOTES: UNLESS OTHERWISE SPECIFIED.

REV: A1	ECN: 9148	INIT: T.C.	DATE: 07/17/2013	APRVD: B.C.	DATE: 7/17/13	TITLE 2.92mm PLUG (M) DIRECT SOLDER FOR 047 SOLID CORE CABLE	
 Southwest Microwave, Inc. 9055 South McKemy Street Tempe, Arizona 85284-2946 Telephone (480) 783-0201 Fax (480) 783-0360		DRN BY: E.OLSEN	DATE: 5/24/13	MODEL NO. 10270-01G	REV. A1		
		SCALE 4:1		DWG. NO. 79KV61130			
SHEET: 1 OF 1							