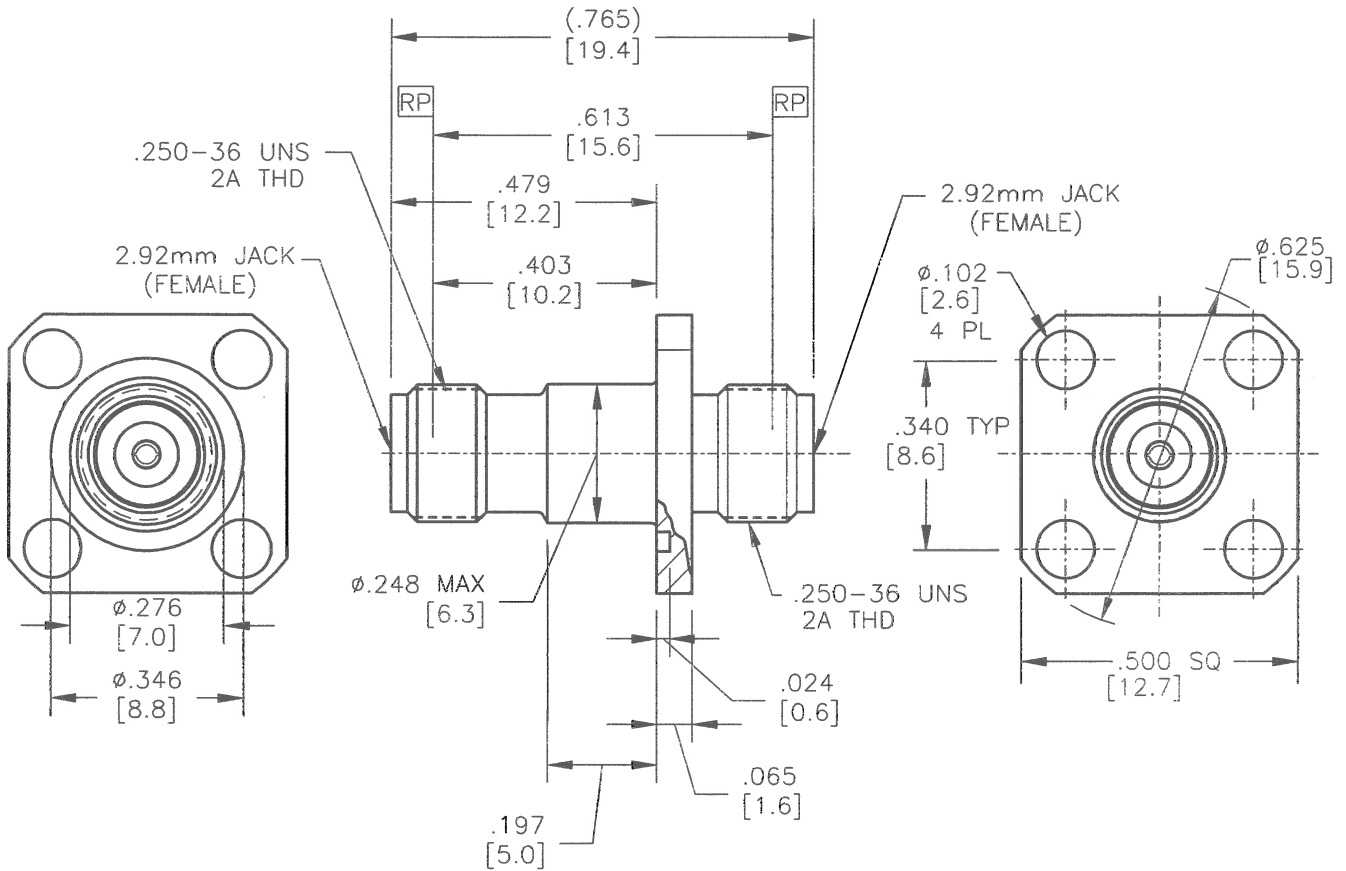


NOTE: Information herein is believed by Southwest Microwave, Inc. to be accurate. However, Southwest Microwave assumes no responsibility for any omissions or errors or inaccuracies for its use or for any infringements of patents or other rights of third parties that may result from its use. Data is intended for informational purpose only and does not constitute a contract of sale or any express or implied warranty, including any warranty of merchant ability or fitness for a particular purpose.



HOUSING:	STEEL, CRES ALLOY UNS-S30300 PER ASTM-A582. PASSIVATE PER ASTM-A967-99
CONTACT:	BeCu UNS-C17300 PER ASTM-B-196/197 GOLD PLATE PER MIL-G-45204
DIELECTRIC:	KEL-F PER MIL-P-46036 ULTEM 1000 PER ASTM-D-5205.
ITEM	MATERIAL & FINISH

SPECIFICATIONS	91K53655
INTERFACE	91K52019
SPECIFICATION GROUP	DRAWING NO.


3. O-RING SEAL TO BE SUPPLIED BY CUSTOMER.

2. INTERFACE I.A.W. MIL-STD-348

1. ALL DIMENSIONS ARE IN INCHES, ALL ANGLES ARE IN DEGREES. DIMENSIONS SHOWN IN BRACKETS [XXX] ARE MILLIMETERS.

TOLERANCES ARE BASED UPON DIMENSIONS IN INCHES. METRIC DIMENSIONS ARE FOR "REFERENCE ONLY".

NOTES: UNLESS OTHERWISE SPECIFIED

REV A	RELEASE	DATE: 6/29/06	APPROV: <i>R BOAK</i>	DATE: 7/5/06	TITLE 2.92 JACK (FEMALE) TO 2.92 JACK (FEMALE) 4 HOLE 1/2 SQUARE FLANGE MOUNT ADAPTER
 <p>Southwest Microwave, Inc. 9055 South McKemy Street Tempe, Arizona 85284-2946 Telephone (480) 783-0201 Fax (480) 783-0360</p>					DRN BY: EJO
					DATE: 6/06
					MODEL NO. 1032-13SF
					REV. A
					SCALE: 3:1
					DWG. NO. 79K59283
					SHEET: 1 OF 1