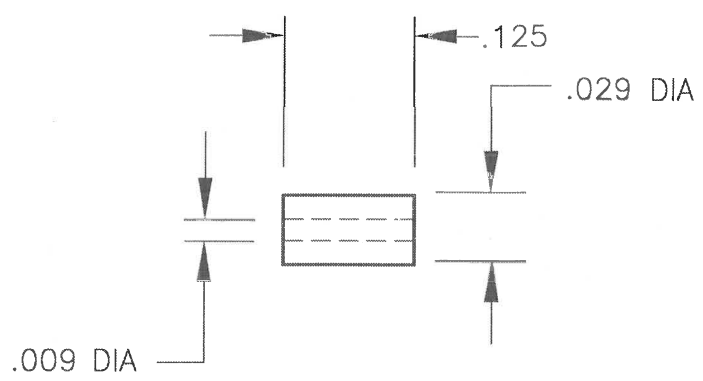


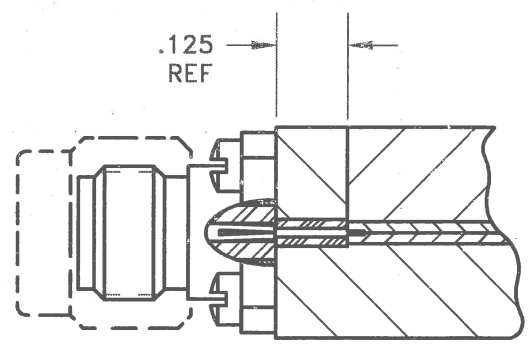
PIN/TAB
1490-03P



DIELECTRIC
1490-03D

APPLICATION

STRIPLINE TRANSITION LAUNCH



PIN/TAB BeCu
UNS-C17300 PER ASTM-B-196/197.
GOLD PLATE PER MIL-G-45204.

DIEL: VIRGIN TFE FLUOROCARBON PER
ASTM-D-1710, AND ASTM-D-1457.

MATERIAL & FINISH

A		RELEASE	7/29/01	B. L.
REV.	ECN	DESCRIPTION	DATE	APPVD

DRAWN SS	DATE 9/11/01	APRVD. <i>B. L.</i>	DATE 9/28/01
-------------	-----------------	------------------------	-----------------

TITLE
1490-03G
PIN/TAB (.009) DIA X .160 LONG .015 TAB
WITH .125 LONG DIELECTRIC



Southwest Microwave, Inc.
9055 South McKemy Street
Tempe, Arizona 85284-2946
Telephone (480) 783-0201
Fax (480) 783-0360

SCALE 3:1	DWG. NO. 79P57128	REV. A
SHEET 1 OF 1		

O.L.-A-303