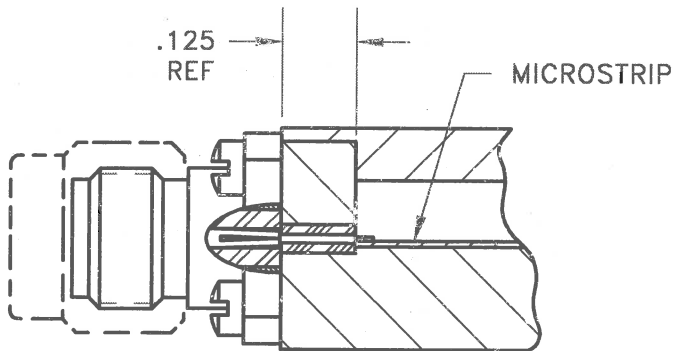


DIELECTRIC  
1490-12D

APPLICATION



DIEL: VIRGIN TFE FLUOROCARBON PER  
ASTM-D-1710, AND ASTM-D-1457.

MATERIAL & FINISH

DRAWN SS	DATE 9/11/01	APRVD. <i>B. L...</i>	DATE 9/28/01
-------------	-----------------	--------------------------	-----------------

A	RELEASE	<i>Wade D.L.</i>
REV.	ECN	DESCRIPTION
		DATE APPVD

TITLE	1490-12D DIELECTRIC (.009) X .125 LONG
-------	---



**Southwest Microwave, Inc.**  
9055 South McKemy Street  
Tempe, Arizona 85284-2946  
Telephone (480) 783-0201  
Fax (480) 783-0360

SCALE NONE	DWG. NO.	REV.
SHEET 1 OF 1	79P57134	A