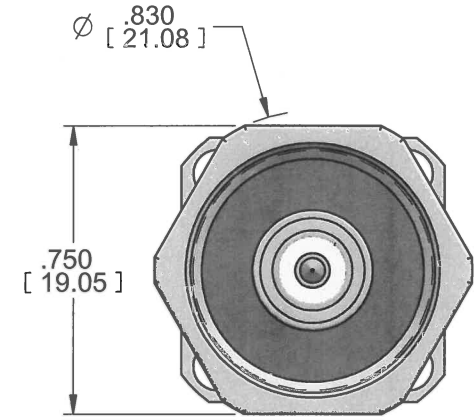
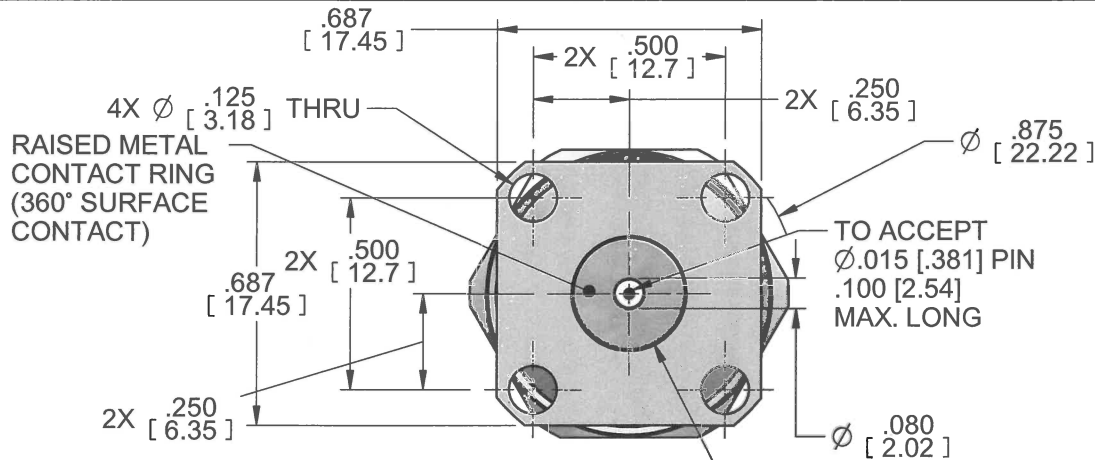


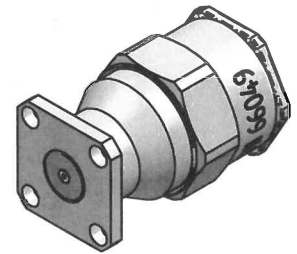
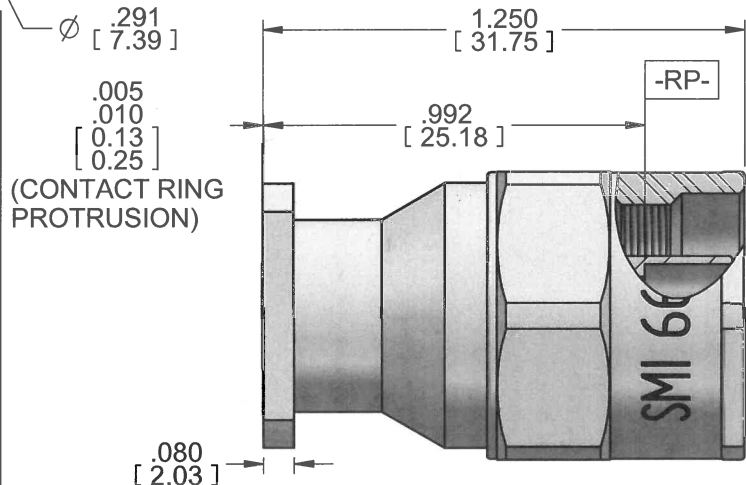
MODEL No.:

**311-07SF**

NOTE: Information herein is believed by Southwest Microwave, Inc. to be accurate. However, Southwest Microwave assumes no responsibility for any omissions or errors or inaccuracies for its use or for any infringements of patents or other rights of third parties that may result from its use. Data is intended for informational purpose only and does not constitute a contract of sale or any express or implied warranty, including any warranty of merchant ability or fitness for a particular purpose.



HOUSING:	STEEL, CRES ALLOY UNS-30300 PER ASTM A582
COUPLING NUT:	STEEL, CRES ALLOY UNS-30300 PER ASTM A582
RETAINING RING:	BeCu PER ASTM B194/197
CONTACT:	BeCu UNS-C17300 PER ASTM B196/197 GOLD PLATE PER MIL-DTL-45204
DIELECTRIC:	VIRGIN PTFE FLUOROCARBON PER ASTM D1710, TYPE 1 GRADE 1, CLASS B, AND ASTM D1457
CAPTURE BEAD:	ULTEM 1000 PER ASTM D5205
GASKET:	SILICON RUBBER ZZ-R-765 CLASS II B, GRADE 65-75
ITEM	MATERIAL & FINISH



CONTACT GAGING SPEC.	91B52107
SPECIFICATIONS	91C58956
SPECIFICATION GROUP	DRAWING NO.

2. INTERFACE I.A.W. MIL-STD-348

1. ALL DIMENSIONS ARE IN INCHES. ALL ANGLES ARE IN DEGREES. DIMENSIONS SHOWN IN BRACKETS [XXX] ARE IN MILLIMETERS.

NOTES: UNLESS OTHERWISE SPECIFIED.

REV C	ECN 9503	APRVD. JW	DATE: 05/25/16
-------	----------	-----------	----------------



Southwest Microwave, Inc.  
 9055 South McKemy Street  
 Tempe, Arizona 85284-2946  
 Telephone (480) 783-0201  
 Fax (480) 783-0360

TITLE		311-07SF	
		N P 4H .687SQ. 1.25L (.015)	
DRN BY: JW	DATE: 03/12/15	DWG. NO.	79C62357
SCALE: 3:1			
SHEET: 1 OF 1			
			REV. C