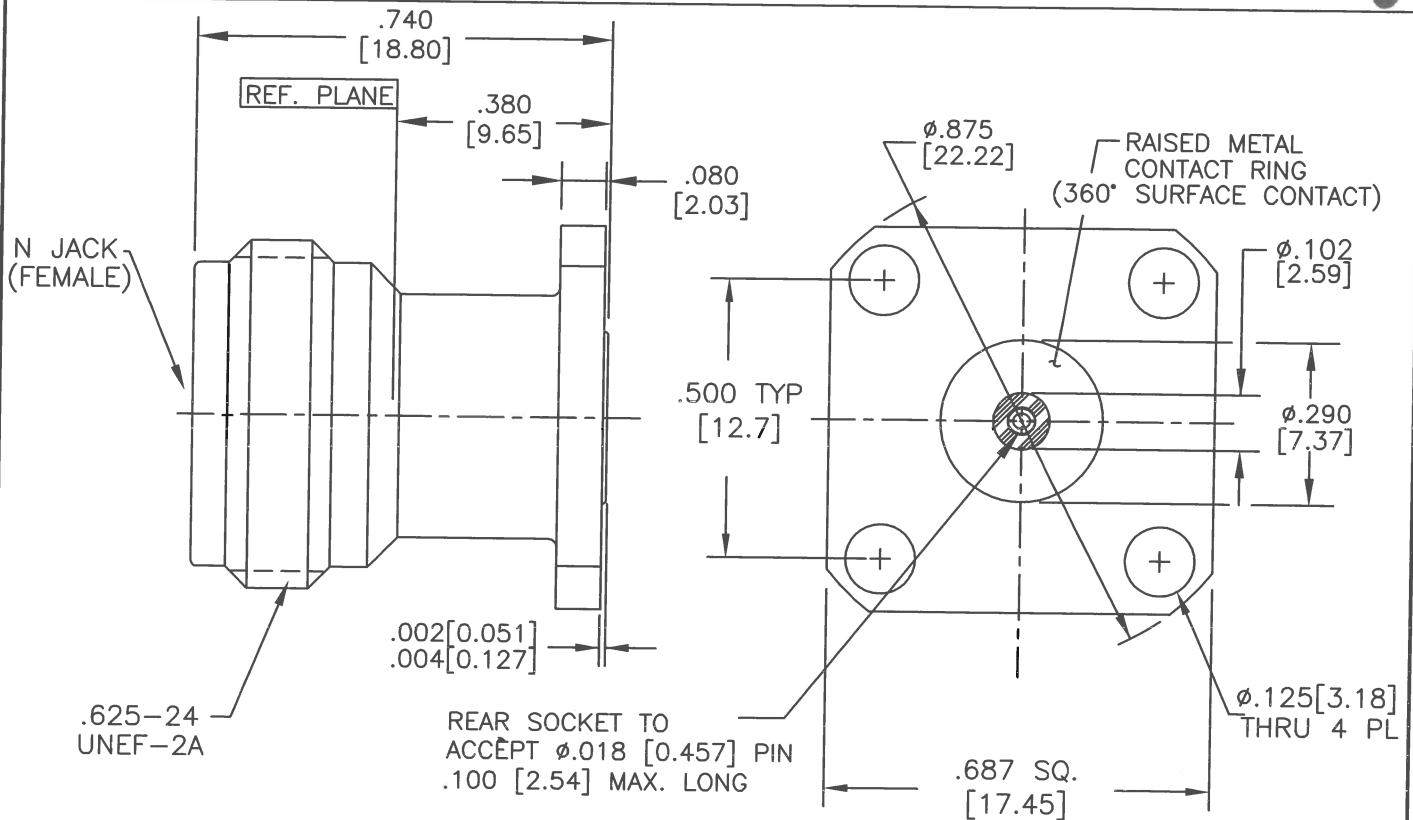


NOTE: Information herein is believed by Southwest Microwave, Inc. to be accurate. However, Southwest Microwave assumes no responsibility for any omissions or errors or inaccuracies for its use or for any infringements of patents or other rights of third parties that may result from its use. Data is intended for informational purpose only and does not constitute a contract of sale or any express or implied warranty, including any warranty of merchant ability or fitness for a particular purpose.



|  |  |
|--|--|
| HOUSING AND RAISED METAL CONTACT RING: | STEEL, CRES ALLOY UNS-S30300 PER ASTM-A582. PASSIVATE PER ASTM-A967-99 |
| CONTACT:                               | BeCu UNS-C17300 PER ASTM-B-196/197 GOLD PLATE PER MIL-G-45204          |
| DIELECTRIC:                            | VIRGIN TFE FLUOROCARBON PER ASTM-D-1710 AND ASTM-D-1457                |
| BEAD RING:                             | ULTEM 1000 PER ASTM-D-5205   |
| MATERIAL & FINISH                      |  |

2. INTERFACE I.A.W. THE REQUIREMENTS OF MIL-STD-348.
1. ALL DIMENSIONS ARE IN INCHES, ALL ANGLES ARE IN DEGREES. METRIC DIMENSIONS ARE SHOWN IN BRACKETS [MILLIMETERS].

NOTES: UNLESS OTHERWISE SPECIFIED

|                                  |             |
|----------------------------------|-------------|
| CONTACT GAGING SPEC. N SOCKET    | 91C54030    |
| CONTACT GAGING SPEC. .018 SOCKET | 91B52102    |
| SPECIFICATIONS                   | 91C58452    |
| SPECIFICATION GROUP              | DRAWING NO. |

|       |           |           |               |           |               |
|-------|-----------|-----------|---------------|-----------|---------------|
| REV B | ECN: 8785 | INIT: EAG | DATE: 5/13/09 | APRVD. BR | DATE: 5/15/09 |
|-------|-----------|-----------|---------------|-----------|---------------|



Southwest Microwave, Inc.  
9055 South McKemy Street  
Tempe, Arizona 85284-2946  
Telephone (480) 783-0201  
Fax (480) 783-0360

|  |                   |                    |        |
|--|-------------------|--------------------|--------|
| TITLE<br>ULTEM CAPTURE N JACK 11/16SQ FLANGE TO ACCEPT (.018) DIA. PIN |                   |                    |        |
| DRN BY: SS   | DATE: 9/06        | MODEL NO. 312-06SF | REV. B |
| SCALE: 3:1   | DWG. NO. 79C58699 |                    |        |
| SHEET: 1 OF 1  |                   |                    |        |

O.L.-A-303 REV B